

**1. INTRODUCTION**

These instructions cover the installation procedures for the 110Connect XC System connecting blocks and wiring blocks listed in Figure 1.

DESCRIPTION	PART NUMBER
4-Pair Connecting Block	AX100707
5-Pair Connecting Block	AX100708
100-Pair Wiring Block	AX100690
100-Pair Wiring Block with Mounting Legs	AX100691
300-Pair Wiring Block with Mounting Legs	AX100692

Figure 1

**NOTE** All dimensions are in millimeters [with inch equivalents in brackets].

Reasons for reissue of this document are provided in Section 4, REVISION SUMMARY.

**2. INSTALLATION PROCEDURES**

**2.1. 25-Pair Cable**

- Strip outer cable jacket back a minimum of 254 mm [10 in.].
- Route cables into wiring block as shown in Figure 2. Lace each pair into position in index strip slots while maintaining correct tip (white) and ring (colored) sequence. Complete lacing of index strip and inspect for accuracy (use black markings as reference).
- Use 110Connecting Tool AX100749, AT&T 788J1 Impact Tool (with cutoff blade), or an equivalent to seat each conductor and shear off conductor end (see Figure 3).
- After all index strips have been wired and trimmed, orient first connecting block at left end of top row and seat using an AT&T 788J1 Impact Tool or equivalent. See Figure 3. Working from left to right, orient and seat each additional block in row. Complete remaining rows following same procedure.

**NOTE** Care must be taken to align the connecting block with the blue marking on the left.

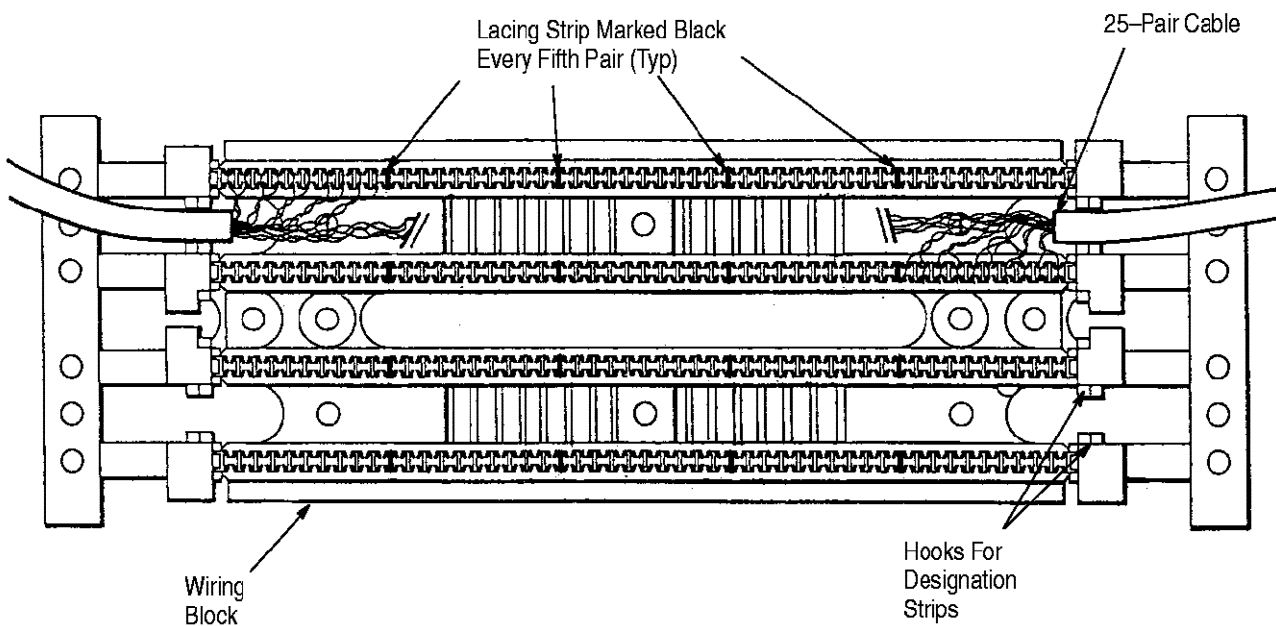


Figure 2

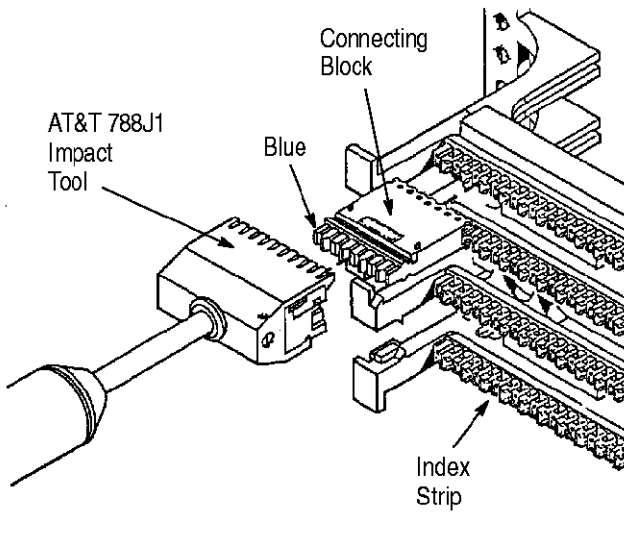
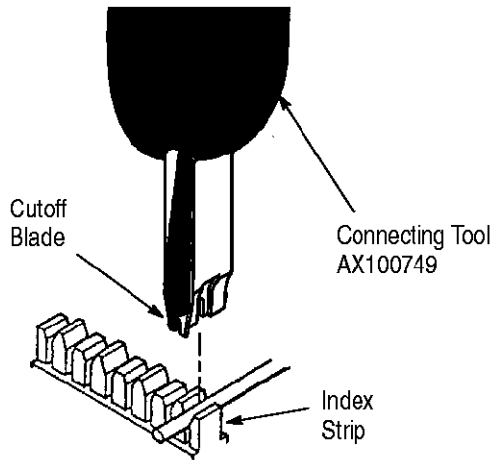


Figure 3

## 2.2. Data Applications

For installations utilizing 4-pair cables and 4-pair connecting blocks, the following procedures should be followed:

1. Position the 4-pair cables against the back panel and determine which cables will be routed to the left side and which cables to the right side of the wiring block. Separate each group into bundles of 6 cables and tie wrap loosely.
2. Mount wiring block in desired location on back panel. If more than one block will be required and cables feed from the ceiling, begin at top of panel and work downward. If cables feed up from the floor, begin at bottom of panel and work upward.

3. Select the 2 cable bundles that will be terminated in each half of this first wiring block. Position bundles under block at right and left ends and feed individual cable ends out between mounting legs below appropriate wiring channel. The cables on the right end will be terminated in the right half of the wiring block and the cables on the left end will be terminated in the left half. See Figure 4.

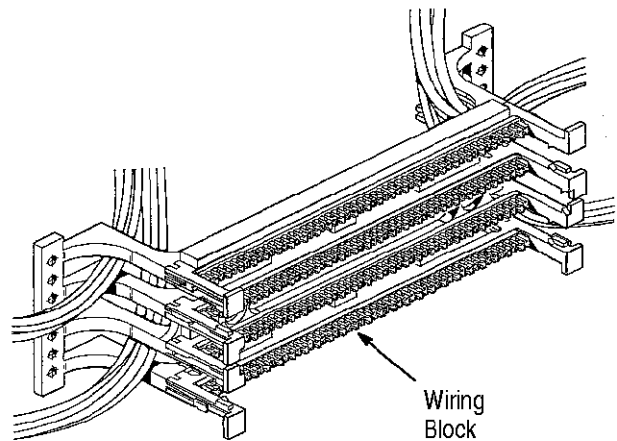


Figure 4

4. Following the sequence shown in Figure 5, route each cable around end of wiring block and into the channel between the index strips. Cut cable to appropriate length and strip back only enough cable jacket to allow lacing of pairs.

5. Place each pair into selected position on index strip and pull down into the slot on each side of a high tooth. Allow no more than 13 mm [0.5 in.] untwist in each pair.

6. Complete routing of pairs to index strip on each side of channel and inspect for accuracy.

7. Use Connecting Tool AX100749, AT&T 788J1 Impact Tool (with cutoff blade), or an equivalent to seat each conductor and shear off conductor end. (see Figure 3).

8. After all index strips have been wired and trimmed, orient first connecting block at left end of top row using an AT&T 788J1 Impact Tool or equivalent (see Figure 3). Working from left to right, orient and seat each additional block in row. Complete remaining rows following same procedure.

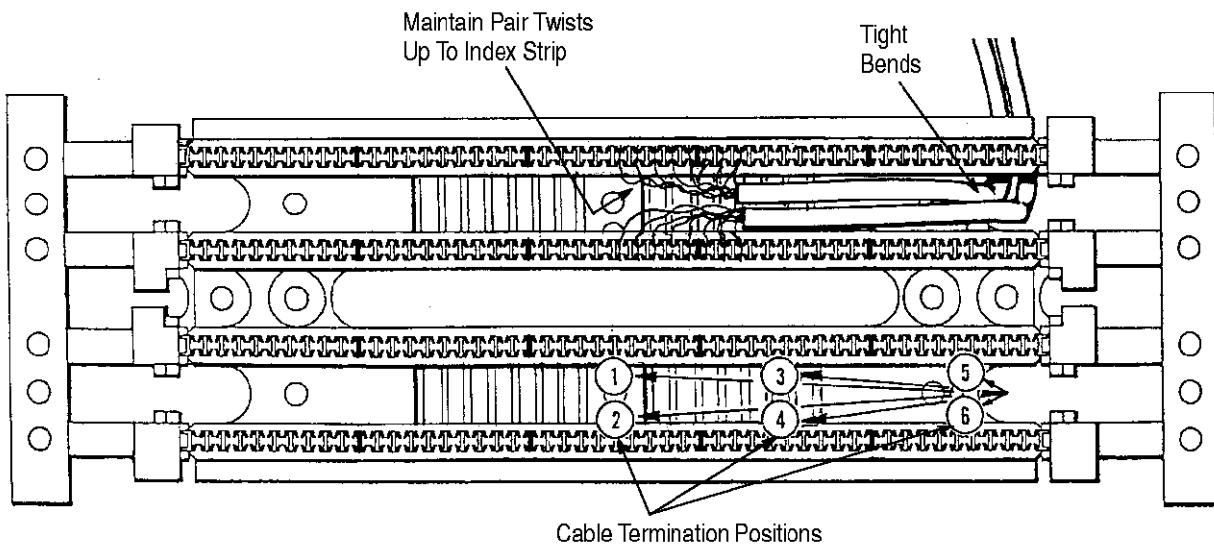


Figure 5

**2.3. Workmanship Guidelines (To Help Ensure Performance of Installation)**

1. Strip only enough cable jacket to allow termination of pairs.
2. Place tension on twisted pairs when bending and routing in order to maintain twist and close conductor spacing.
3. Maintain pair twist up to point of termination in index strip. Allow no more than 13 mm [0.5 in.] to untwist.

1. Cross-connect wires are terminated in the top of the connecting block using Connecting Tool AX100749 or KRONE Universal Wire Insertion Tool. See Figure 6. Use low impact setting.

**CAUTION**

*Do NOT use 788J1 five pair Impact Tool to terminate cross-connect wires in connecting blocks.*

2. The wires should be completely inserted to the bottom of the wire slot and the excess wire should be removed by the cutting edge of the impact tool.

**3. TERMINATING CROSS-CONNECT WIRES**

**NOTE**

*Only 22 through 26 AWG insulated wire should be terminated to the connecting block. (Maximum diameter over insulation is 1.3 mm [0.050 in.] )*

**4. REVISION SUMMARY**

Per EC 0990-0166-02:

- Enhanced NORDX/CDT trademark at top of each page

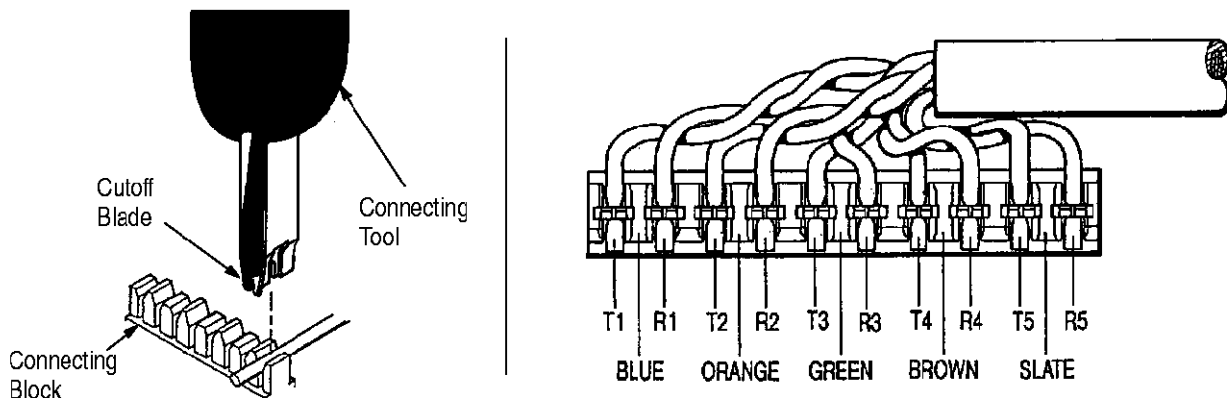


Figure 6