

Installation Guide

MDVO Multimedia Modules - QNE4 Series

Doc # PO749391 Version A



1. Applications

Flush mount

Surface mount

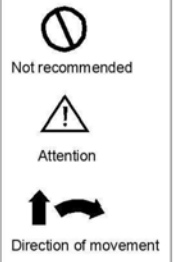


Modular furniture outlet

Deco adapter

2. Modules

Legend



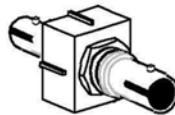
F



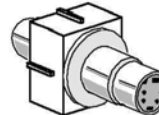
RCA



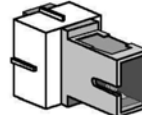
BNC



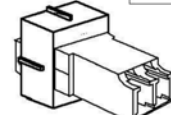
Multimode, ST



SVHS



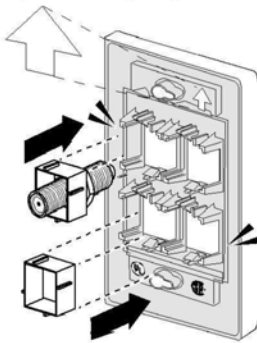
Multimode, SC



LC

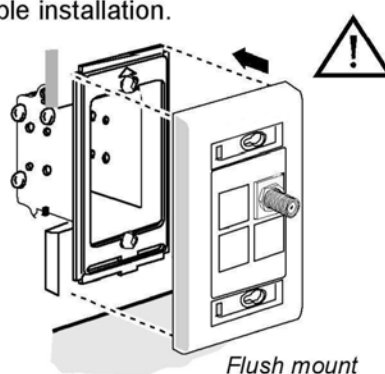
3. Module Assembly

3. Ensure that the MDVO inserts are snapped firmly in place.



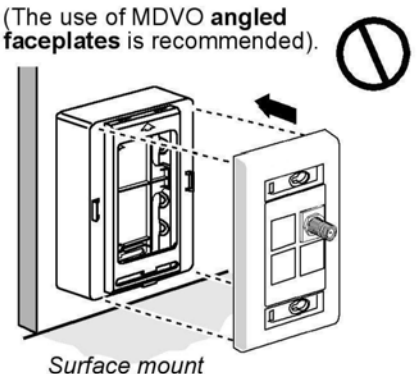
4. Various Installations

4A. Use a 7.6 cm (3 in.) electrical box for optical fiber and coax cable installation.



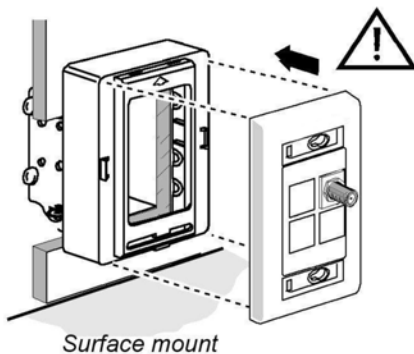
Flush mount

4B. The use of optical fiber and coax cable is not recommended. (The use of MDVO angled faceplates is recommended).



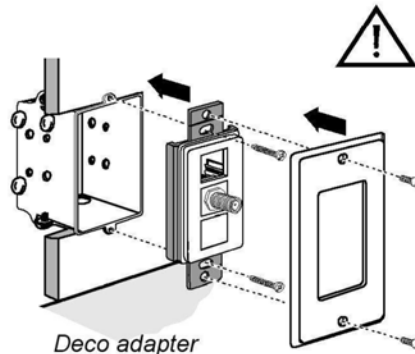
Surface mount

4C. Use a 5 cm (2 in.) minimum electrical box for optical fiber and coax cable installation.



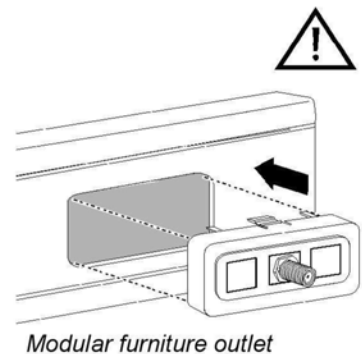
Surface mount

4D. Use a 7.6 cm (3 in.) electrical box for optical fiber and coax cable installation.



Deco adapter

4E. When using optical fiber and/or coax cable, please verify clearance within the modular furniture partition.



Modular furniture outlet



For additional technical information on Belden Multimedia Modules or our other connectivity products, call 1-800-858-7954

Copyright 1996, 2008 Belden, Inc.

This installation guide is available in the "information Center" of Belden website - www.belden.com