

FIBER EXPRESS PATCH PANEL SPLICING CASSETTES PART NUMBER DESCRIPTION

PART NUMBER EXAMPLE : FC3U12LDMMAA

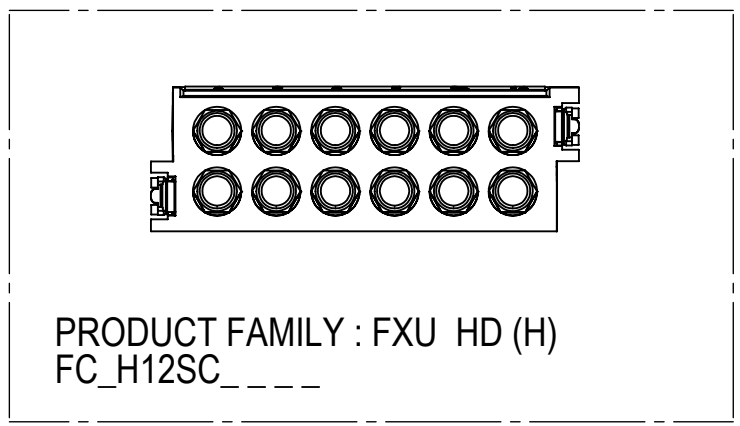
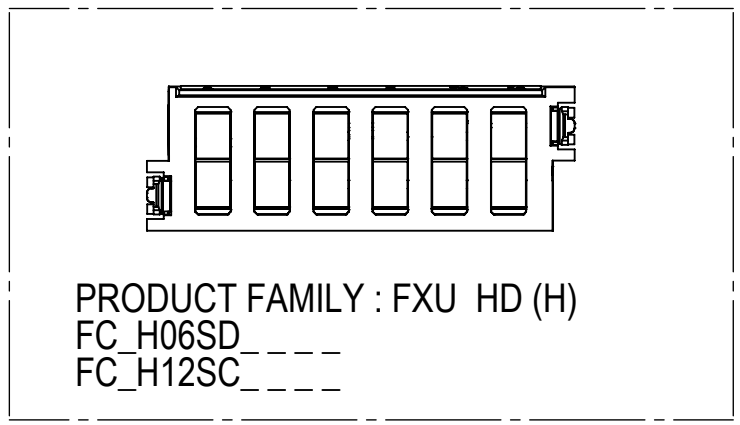
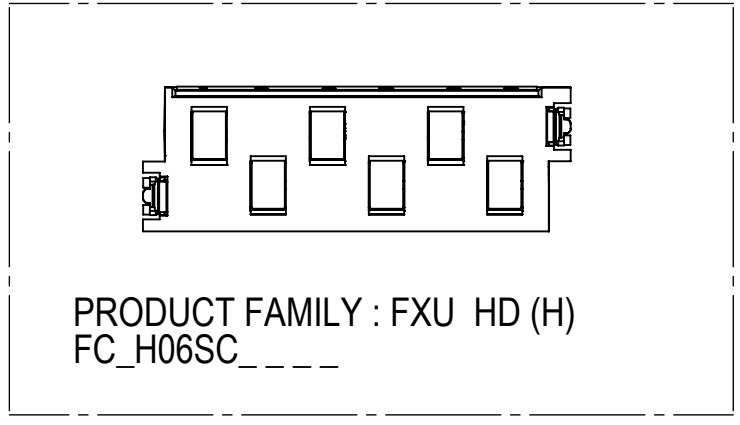
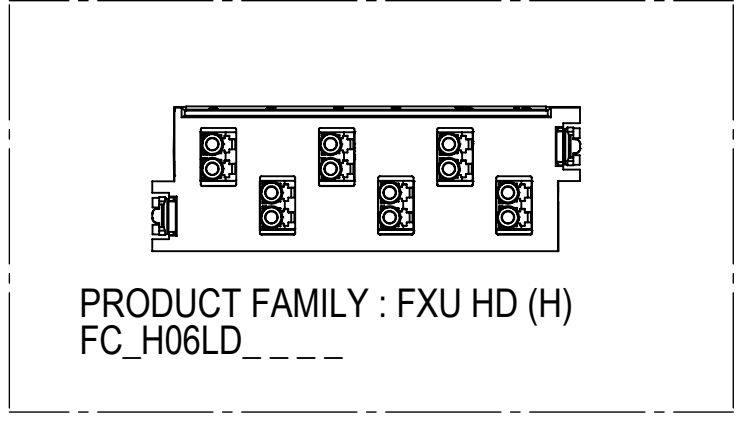
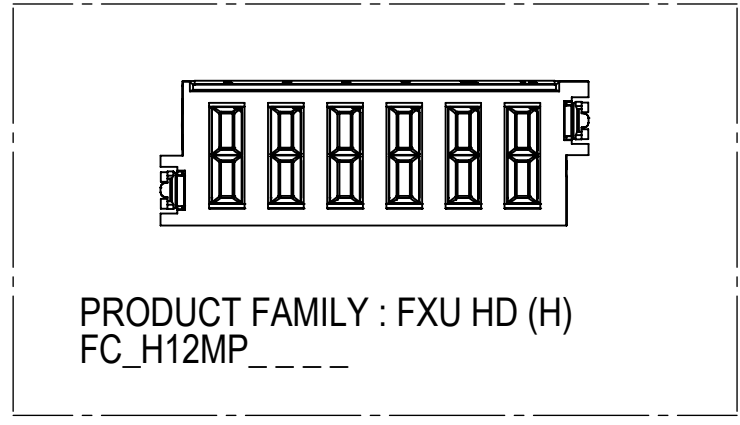
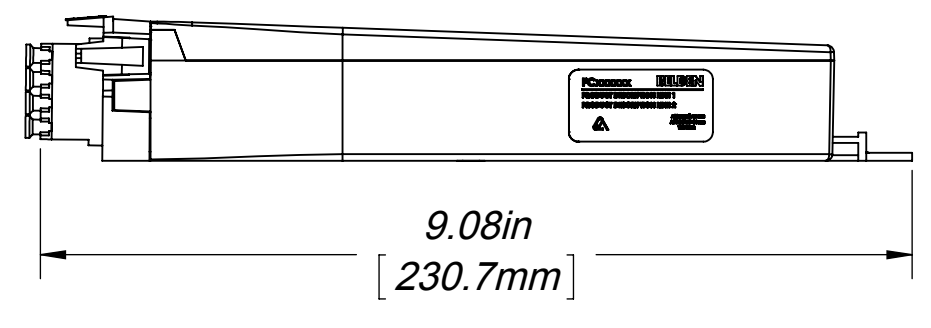
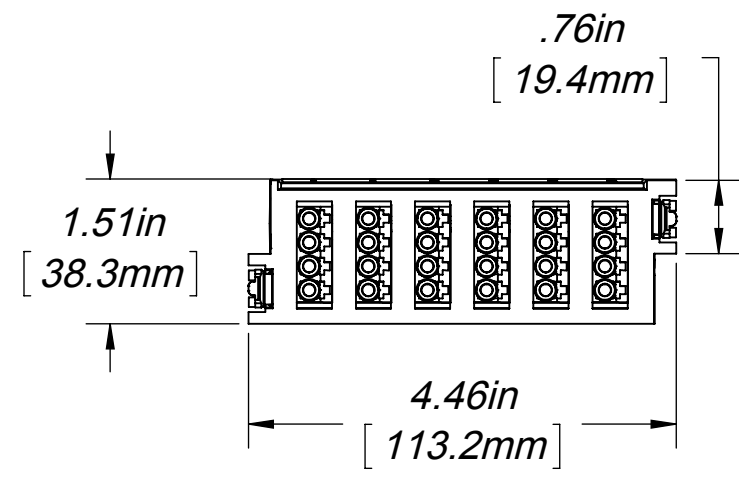
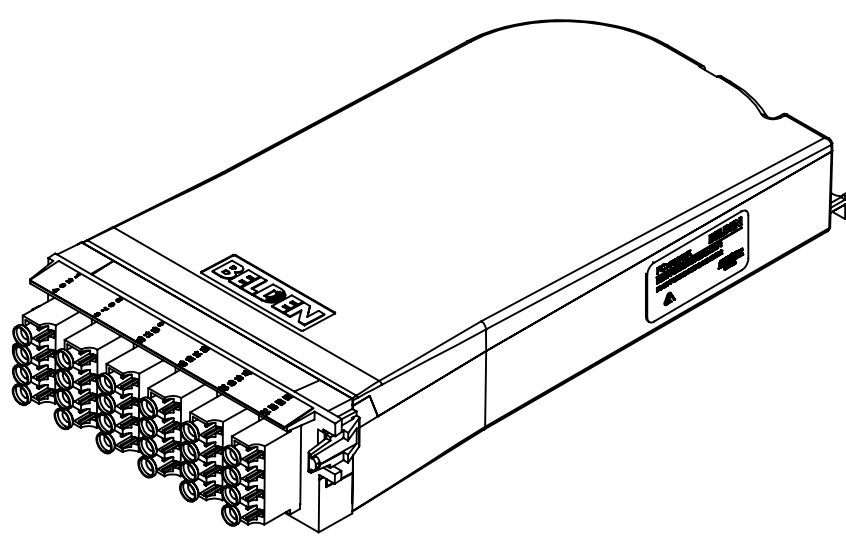
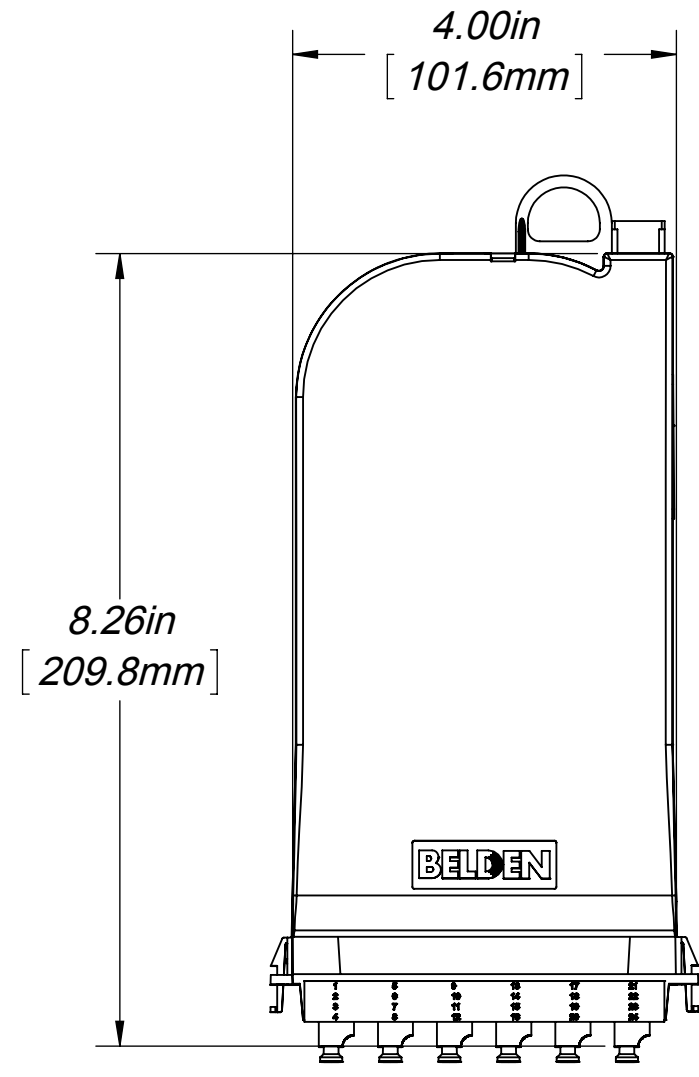
BROKEN DOWN PART NUMBER

FC	3	U	12	LD	MM																																														
FC	FIBER TYPE	PRODUCT FAMILY	PORT COUNT (PATCH SIDE)	CONNECTOR (PATCH SIDE)	CONNECTOR (TRUNK SIDE)																																														
	<table border="1" style="width: 100%; border-collapse: collapse;"> <tr><td>1</td><td>OM1</td></tr> <tr><td>2</td><td>OM2</td></tr> <tr><td>3</td><td>OM3</td></tr> <tr><td>4</td><td>OM4</td></tr> <tr><td>s</td><td>OS2</td></tr> </table>	1	OM1	2	OM2	3	OM3	4	OM4	s	OS2	<table border="1" style="width: 100%; border-collapse: collapse;"> <tr><td>H</td><td>FX UHD</td></tr> </table>	H	FX UHD	<table border="1" style="width: 100%; border-collapse: collapse;"> <tr><td>06</td><td>6 PORTS</td></tr> <tr><td>12</td><td>12 PORTS</td></tr> </table>	06	6 PORTS	12	12 PORTS	<table border="1" style="width: 100%; border-collapse: collapse;"> <tr><td colspan="2" style="text-align: center;">LC TYPE</td></tr> <tr><td>LD</td><td>LC DUPLEX</td></tr> <tr><td>LA</td><td>LC/APC DUPLEX</td></tr> <tr><td>LK</td><td>LC KEYED DUPLEX</td></tr> <tr><td>LS</td><td>LS = LC DUPLEX W/ SHUTTERS</td></tr> <tr><td>LQ</td><td>LQ = LC/APC DUPLEX W/ SHUTTERS</td></tr> <tr><td colspan="2" style="text-align: center;">SC TYPE</td></tr> <tr><td>SD</td><td>SD = SC DUPLEX</td></tr> <tr><td>SC</td><td>SC = SC SIMPLEX</td></tr> <tr><td>SA</td><td>SA = SC/APC DUPLEX</td></tr> <tr><td>SB</td><td>SB = SC/APC SIMPLEX</td></tr> <tr><td>SR</td><td>SR = SC SIMPLEX W/ SHUTTERS</td></tr> <tr><td>SP</td><td>SP = SC/APC SIMPLEX W/ SHUTTERS</td></tr> </table>	LC TYPE		LD	LC DUPLEX	LA	LC/APC DUPLEX	LK	LC KEYED DUPLEX	LS	LS = LC DUPLEX W/ SHUTTERS	LQ	LQ = LC/APC DUPLEX W/ SHUTTERS	SC TYPE		SD	SD = SC DUPLEX	SC	SC = SC SIMPLEX	SA	SA = SC/APC DUPLEX	SB	SB = SC/APC SIMPLEX	SR	SR = SC SIMPLEX W/ SHUTTERS	SP	SP = SC/APC SIMPLEX W/ SHUTTERS	<table border="1" style="width: 100%; border-collapse: collapse;"> <tr><td>MM</td><td>MPO-12(M)</td></tr> <tr><td>FS</td><td>FIBER SPLICING</td></tr> </table>	MM	MPO-12(M)	FS	FIBER SPLICING
1	OM1																																																		
2	OM2																																																		
3	OM3																																																		
4	OM4																																																		
s	OS2																																																		
H	FX UHD																																																		
06	6 PORTS																																																		
12	12 PORTS																																																		
LC TYPE																																																			
LD	LC DUPLEX																																																		
LA	LC/APC DUPLEX																																																		
LK	LC KEYED DUPLEX																																																		
LS	LS = LC DUPLEX W/ SHUTTERS																																																		
LQ	LQ = LC/APC DUPLEX W/ SHUTTERS																																																		
SC TYPE																																																			
SD	SD = SC DUPLEX																																																		
SC	SC = SC SIMPLEX																																																		
SA	SA = SC/APC DUPLEX																																																		
SB	SB = SC/APC SIMPLEX																																																		
SR	SR = SC SIMPLEX W/ SHUTTERS																																																		
SP	SP = SC/APC SIMPLEX W/ SHUTTERS																																																		
MM	MPO-12(M)																																																		
FS	FIBER SPLICING																																																		

OPTIONAL NUMBER CONFIGURATIONS

A	A																																										
POLARITY (OPTIONAL)	ADAPTER COLOR (OPTIONAL)																																										
<table border="1" style="width: 100%; border-collapse: collapse;"> <tr><td>N</td><td>N/A</td></tr> </table>	N	N/A	<table border="1" style="width: 100%; border-collapse: collapse;"> <tr><td colspan="2" style="text-align: center;">STANDARD ADAPTERS</td></tr> <tr><td>T</td><td>BEIGE (TYP. OM1)</td></tr> <tr><td>N</td><td>BLACK (TYP. OM2)</td></tr> <tr><td>A</td><td>AQUA (TYP. OM3 OR OM4)</td></tr> <tr><td>E</td><td>ERIKA VIOLET (TYP. OM4)</td></tr> <tr><td>B</td><td>BLUE (TYP. OS2/UPC)</td></tr> <tr><td>G</td><td>GREEN (TYP. OS2/APC)</td></tr> <tr><td colspan="2" style="text-align: center;">LC/KEYED ADAPTERS</td></tr> <tr><td>B</td><td>BLUE</td></tr> <tr><td>O</td><td>ORANGE</td></tr> <tr><td>G</td><td>GREEN</td></tr> <tr><td>M</td><td>BROWN (MAROON)</td></tr> <tr><td>S</td><td>GRAY (SLATE)</td></tr> <tr><td>W</td><td>WHITE</td></tr> <tr><td>R</td><td>RED</td></tr> <tr><td>N</td><td>BLACK (NOIR)</td></tr> <tr><td>Y</td><td>YELLOW</td></tr> <tr><td>V</td><td>VIOLET</td></tr> <tr><td>P</td><td>ROSE (PINK)</td></tr> <tr><td>A</td><td>AQUA</td></tr> </table>	STANDARD ADAPTERS		T	BEIGE (TYP. OM1)	N	BLACK (TYP. OM2)	A	AQUA (TYP. OM3 OR OM4)	E	ERIKA VIOLET (TYP. OM4)	B	BLUE (TYP. OS2/UPC)	G	GREEN (TYP. OS2/APC)	LC/KEYED ADAPTERS		B	BLUE	O	ORANGE	G	GREEN	M	BROWN (MAROON)	S	GRAY (SLATE)	W	WHITE	R	RED	N	BLACK (NOIR)	Y	YELLOW	V	VIOLET	P	ROSE (PINK)	A	AQUA
N	N/A																																										
STANDARD ADAPTERS																																											
T	BEIGE (TYP. OM1)																																										
N	BLACK (TYP. OM2)																																										
A	AQUA (TYP. OM3 OR OM4)																																										
E	ERIKA VIOLET (TYP. OM4)																																										
B	BLUE (TYP. OS2/UPC)																																										
G	GREEN (TYP. OS2/APC)																																										
LC/KEYED ADAPTERS																																											
B	BLUE																																										
O	ORANGE																																										
G	GREEN																																										
M	BROWN (MAROON)																																										
S	GRAY (SLATE)																																										
W	WHITE																																										
R	RED																																										
N	BLACK (NOIR)																																										
Y	YELLOW																																										
V	VIOLET																																										
P	ROSE (PINK)																																										
A	AQUA																																										

<p style="text-align: center;">PROPRIÉTÉ INTELLECTUELLE</p> <p style="font-size: small;">L'information contenue dans ce document est la propriété de BELDEN Inc. Sauf si spécifié par une autorisation écrite de BELDEN Inc. la personne qui consulte ce document : (1) doit garder confidentielle toute l'information contenue dans ce document et doit protéger en tout ou en partie toute divulgation à toute tierce personne et (2) doit utiliser l'information pour la production ou la mise à jour.</p> <p style="text-align: center;">PROPRIETARY INFORMATION</p> <p style="font-size: x-small;">The information contained in this document is the property of BELDEN INC. Except as specifically authorized in writing by BELDEN, INC. the holder of this document: (1) shall keep all information contained herein confidential and shall protect same in whole or in part from disclosure and dissemination to all third parties and (2) shall use same for operating and maintenance purposes only.</p>	<p style="text-align: center;">DESSIN NON À L'ÉCHELLE</p> <p style="font-size: x-small;">CE DESSIN REPRÉSENTE LE PRODUIT FINI ET DOIT ÊTRE CONSIDÉRÉ À TITRE DE RÉFÉRENCE SEULEMENT</p> <p style="text-align: center;">DO NOT SCALE DRAWING</p> <p style="font-size: x-small;">THIS DRAWING REPRESENTS FINISH PRODUCT AND SHOULD BE CONSIDERED AS REFERENCE ONLY</p>	<p>ORIENTATION: </p> <p>TITRE / TITLE: FXUHD SPLICE CASSETTE</p> <table border="1" style="width: 100%; border-collapse: collapse;"> <tr> <td style="width: 80%;">DESSIN NO / DRAWING. NO. BELDEN-415</td> <td style="width: 20%;">REV B</td> </tr> </table> <p>DESSINÉ PAR: BC LE 02 DEC 2014</p> <table border="1" style="width: 100%; border-collapse: collapse;"> <tr> <td style="width: 30%;">FORMAT SIZE C</td> <td style="width: 40%;">POIDS / WEIGHT lbs (Ref)</td> <td style="width: 30%;">FEUILLE DE SHEET 1 OF 2</td> </tr> </table> <p style="text-align: right; font-size: x-small;">CAO / CAD</p>	DESSIN NO / DRAWING. NO. BELDEN-415	REV B	FORMAT SIZE C	POIDS / WEIGHT lbs (Ref)	FEUILLE DE SHEET 1 OF 2
DESSIN NO / DRAWING. NO. BELDEN-415	REV B						
FORMAT SIZE C	POIDS / WEIGHT lbs (Ref)	FEUILLE DE SHEET 1 OF 2					



PRODUCT FAMILY : FXU HD (H)
FC_H12LD

PROPRIÉTÉ INTELLECTUELLE
L'information contenue dans ce document est la propriété de BELDEN Inc. Sauf si spécifié par une autorisation écrite de BELDEN Inc. la personne qui consulte ce document : (1) doit garder confidentielle toute l'information contenue dans ce document et doit protéger en tout ou en partie toute divulgation à toute tierce personne et (2) doit utiliser l'information pour la production ou la mise à jour.

PROPRIETARY INFORMATION
The information contained in this document is the property of BELDEN INC. Except as specifically authorized in writing by BELDEN, INC. the holder of this document: (1) shall keep all information contained herein confidential and shall protect same in whole or in part from disclosure and dissemination to all third parties and (2) shall use same for operating and maintenance purposes only.

DESSIN NON À L'ÉCHELLE
CE DESSIN REPRÉSENTE LE PRODUIT FINI, ET DOIT ÊTRE CONSIDÉRÉ À TITRE DE RÉFÉRENCE SEULEMENT

DO NOT SCALE DRAWING
THIS DRAWING REPRESENTS FINISH PRODUCT AND SHOULD BE CONSIDERED AS REFERENCE ONLY

DESSINÉ PAR: LE
DRAWN BY: BC ON THE 02 DEC 2014

ORIENTATION: 		BELDEN SENDING ALL THE RIGHT SIGNALS™	
TITRE / TITLE: FXUHD SPLICE CASSETTE			
DESSIN NO / DRAWING. NO. BELDEN-415		REV B	
FORMAT SIZE C	POIDS / WEIGHT lbs (Ref)	FEUILLE DE SHEET 2 OF 2	