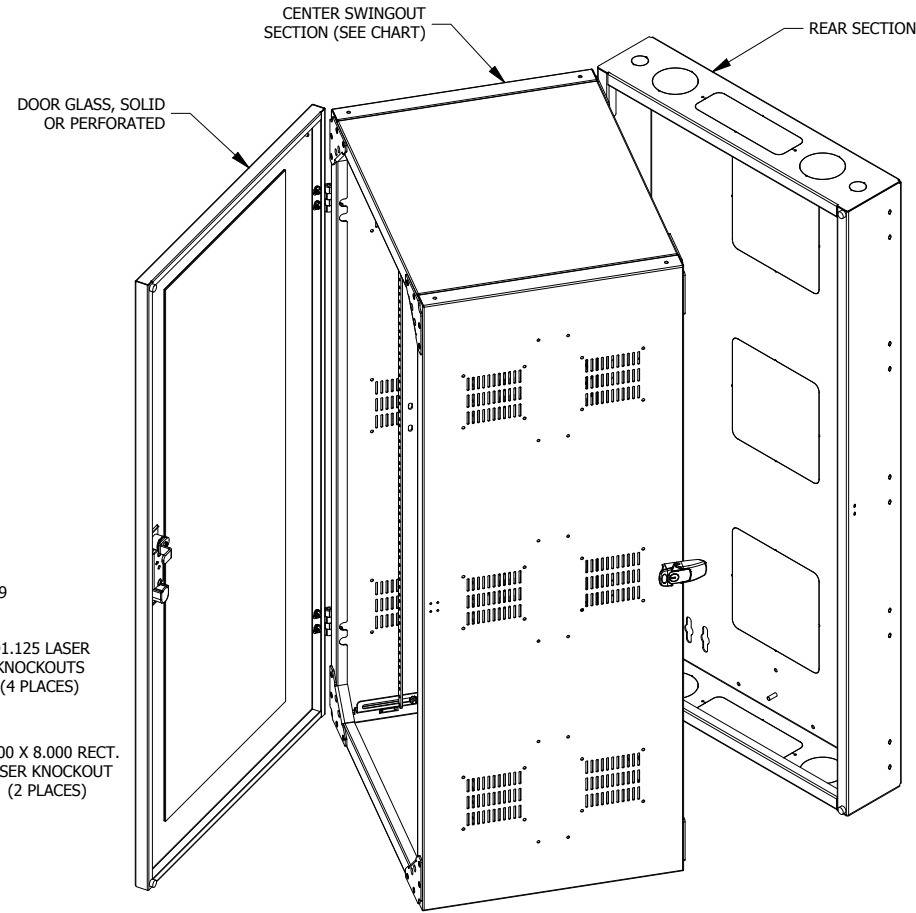
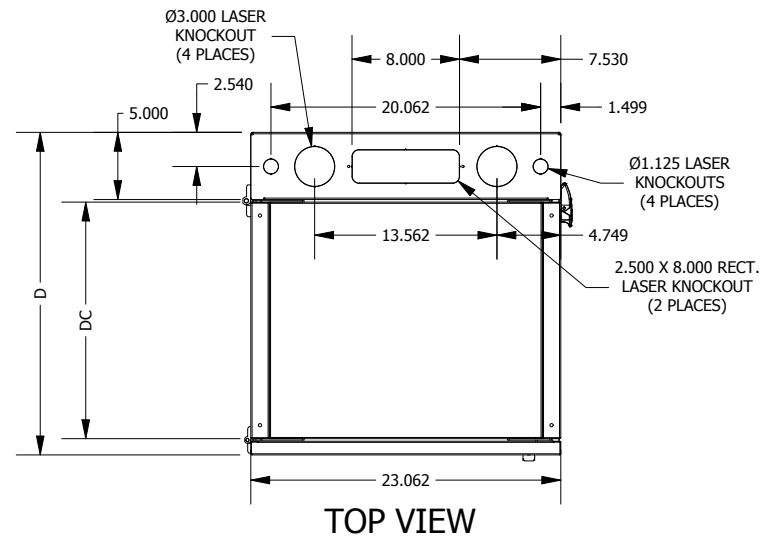


DESIGN & STRUCTURAL FEATURES

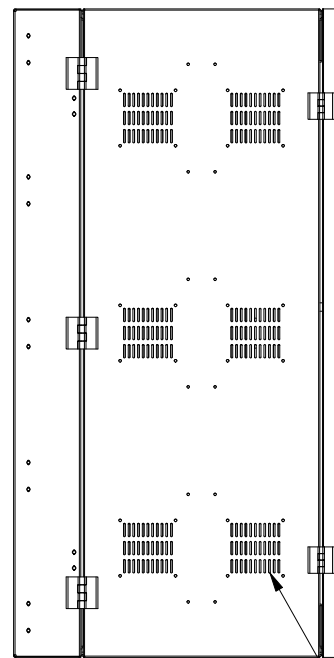
- **MATERIAL:**
WELDED FRAME CONSTRUCTION: 16 GA (.060) & 14 GA (.075) CR STEEL
MOUNTING RAILS: 12 GA (.105) CR STEEL
MAX WEIGHT CAPACITY: 300 LBS OF LOAD
- STURDY WELDED STEEL CONSTRUCTION.
- CD WELD STUDS PROVIDED FOR ELECTRICAL GROUNDING AND ELECTRICAL BONDING BETWEEN ENCLOSURE HINGED SECTIONS. SEE SHEET-2 FOR DETAILS.
- 24" AND 30" DEEP ENCLOSURES INCLUDE 1 PAIR OF 12-24 TAPPED 19" MOUNTING RAILS. 20 PCS MOUNTING HARDWARE INCLUDED.
- 18 GA (.048) CR STEEL DOOR WITH LOCK.
- DIRECTION OF DOOR SWING IS REVERSIBLE IN THE FIELD.
- SIDE VENT PATTERN FOR FANS TO ACCOMMODATE TWO 4" FANS.
- TWO LASER CUT CONDUIT KNOCKOUTS, 1.125" AND 3.000" DIAMETER.
- LASER CUT KNOCKOUTS FOR CABLE ENTRY LOCATED ON THE TOP & BOTTOM (2.500" X 8.000") OF REAR SECTION OF THE ENCLOSURE.



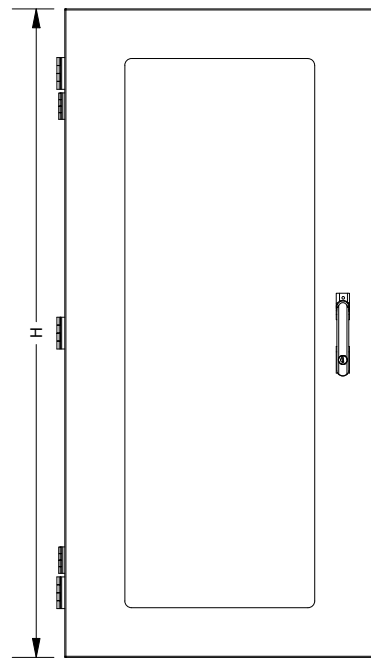
XHW SIZING CHART									
PART NUMBER	H (HEIGHT)	D (DEPTH)	SWING-OUT	RU MOUNT	DC	VENTED SLOTS	DOOR TYPE	APPROX WEIGHT	SHIPPING SIZE
XHW-2406-SD	23.75"	6.00"	N/A	N/A	N/A	N/A	SOLID	30 lbs	26 x 25 x 10
XHW-2406-GD	23.75"	6.00"	N/A	N/A	N/A	N/A	POLYCARBONATE	25 lbs	26 x 25 x 10
XHW-2406-PD	23.75"	6.00"	N/A	N/A	N/A	N/A	PERFORATED	20 lbs	26 x 25 x 10
XHW-2424-SD	23.75"	24.00"	YES	12 RU	17.60"	2 PER SIDE	SOLID	125 lbs	26 x 25 x 25
XHW-2424-GD	23.75"	24.00"	YES	12 RU	17.60"	2 PER SIDE	POLYCARBONATE	115 lbs	26 x 25 x 25
XHW-2424-PD	23.75"	24.00"	YES	12 RU	17.60"	2 PER SIDE	PERFORATED	110 lbs	26 x 25 x 25
XHW-2430-SD	23.75"	30.00"	YES	12 RU	23.60"	2 PER SIDE	SOLID	135 lbs	26 x 25 x 32
XHW-2430-GD	23.75"	30.00"	YES	12 RU	23.60"	2 PER SIDE	POLYCARBONATE	125 lbs	26 x 25 x 32
XHW-2430-PD	23.75"	30.00"	YES	12 RU	23.60"	2 PER SIDE	PERFORATED	120 lbs	26 x 25 x 32
XHW-3606-SD	36.00"	6.00"	N/A	N/A	N/A	N/A	SOLID	55 lbs	38 x 25 x 10
XHW-3606-GD	36.00"	6.00"	N/A	N/A	N/A	N/A	POLYCARBONATE	45 lbs	38 x 25 x 10
XHW-3606-PD	36.00"	6.00"	N/A	N/A	N/A	N/A	PERFORATED	40 lbs	38 x 25 x 10
XHW-3624-SD	36.00"	24.00"	YES	19 RU	17.60"	4 PER SIDE	SOLID	147 lbs	38 x 25 x 25
XHW-3624-GD	36.00"	24.00"	YES	19 RU	17.60"	4 PER SIDE	POLYCARBONATE	137 lbs	38 x 25 x 25
XHW-3624-PD	36.00"	24.00"	YES	19 RU	17.60"	4 PER SIDE	PERFORATED	127 lbs	38 x 25 x 25
XHW-3630-SD	36.00"	30.00"	YES	19 RU	23.60"	4 PER SIDE	SOLID	152 lbs	38 x 25 x 32
XHW-3630-GD	36.00"	30.00"	YES	19 RU	23.60"	4 PER SIDE	POLYCARBONATE	142 lbs	38 x 25 x 32
XHW-3630-PD	36.00"	30.00"	YES	19 RU	23.60"	4 PER SIDE	PERFORATED	137 lbs	38 x 25 x 32
XHW-4806-SD	48.25"	6.00"	N/A	N/A	N/A	N/A	SOLID	60 lbs	50 x 25 x 10
XHW-4806-GD	48.25"	6.00"	N/A	N/A	N/A	N/A	POLYCARBONATE	50 lbs	50 x 25 x 10
XHW-4806-PD	48.25"	6.00"	N/A	N/A	N/A	N/A	PERFORATED	45 lbs	50 x 25 x 10
XHW-4824-SD	48.25"	24.00"	YES	26 RU	17.60"	6 PER SIDE	SOLID	150 lbs	50 x 25 x 25
XHW-4824-GD	48.25"	24.00"	YES	26 RU	17.60"	6 PER SIDE	POLYCARBONATE	140 lbs	50 x 25 x 25
XHW-4824-PD	48.25"	24.00"	YES	26 RU	17.60"	6 PER SIDE	PERFORATED	135 lbs	50 x 25 x 25
XHW-4830-SD	48.25"	30.00"	YES	26 RU	23.60"	6 PER SIDE	SOLID	160 lbs	50 x 25 x 32
XHW-4830-GD	48.25"	30.00"	YES	26 RU	23.60"	6 PER SIDE	POLYCARBONATE	150 lbs	50 x 25 x 32
XHW-4830-PD	48.25"	30.00"	YES	26 RU	23.60"	6 PER SIDE	PERFORATED	145 lbs	50 x 25 x 32

NOTES:

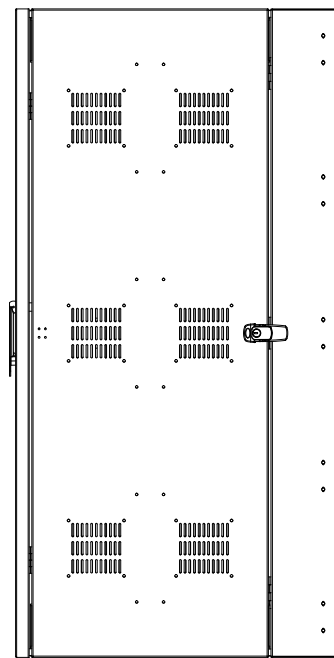
1. ALL THREADS ARE TO BE MASKED. THIS INCLUDES ALL CD STUDS AND PEM STUDS IN THESE CABINETS.
2. ALL HINGED SECTIONS AND DOORS ARE PROVISIONED WITH BONDING STUDS THAT CAN BE USED TO ATTACH A BONDING KIT. ALL NON-WELDED COMPONENTS ATTACHED TO THE FRAME ARE SUPPLIED WITH HARDWARE, WHICH WILL PENETRATE THE POWDER COATED SURFACE TO ACCOMPLISH REQUIRED BONDING LEVELS.
3. BONDING KITS FOR DOORS AND HINGED CENTER SECTIONS ARE INCLUDED WITH ENCLOSURE.



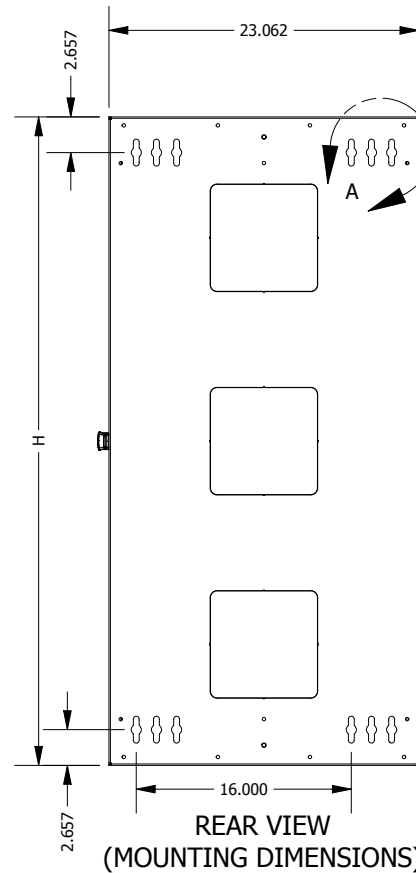
VENT PATTERN FOR FAN KITS (SEE CHART)



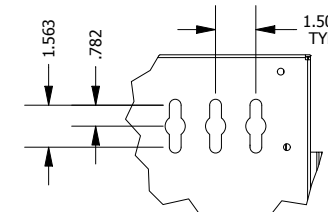
FRONT VIEW



LATCH SIDE VIEW



REAR VIEW (MOUNTING DIMENSIONS)



DETAIL A

BELDEN

THIS DRAWING AND ALL INFORMATION CONTAINED HEREIN IS THE PROPERTY OF BELDEN. ANY USE, COPY OR REPRODUCTION OF THIS MATERIAL WITHOUT WRITTEN PERMISSION OF BELDEN IS PROHIBITED

XHW-SERIES MASTER

HYBRID XHW SERIES- MATRIX ORDERING

DRAWN BY: JWP

DRAWN DATE: 7-10-18

UNITS : INCH

SH 1 of 2

B

SCALE:

DATE: 7/10/2018

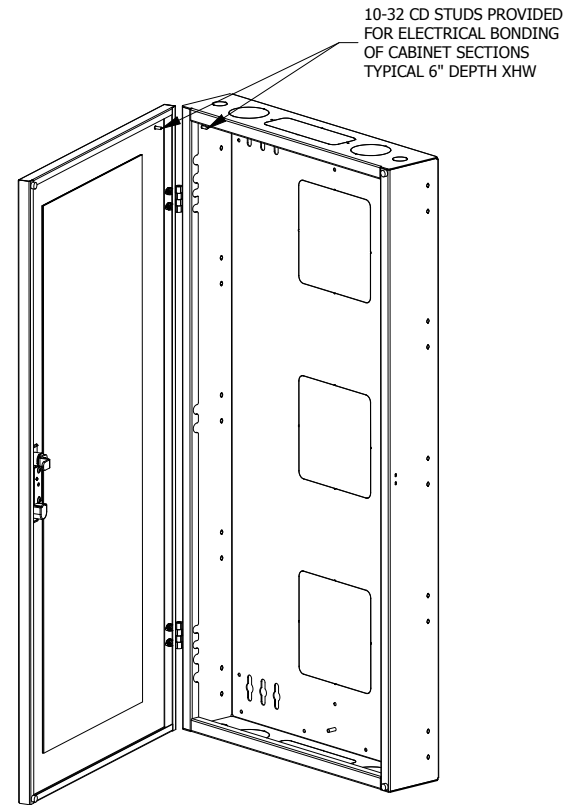
SUBMITTAL

4

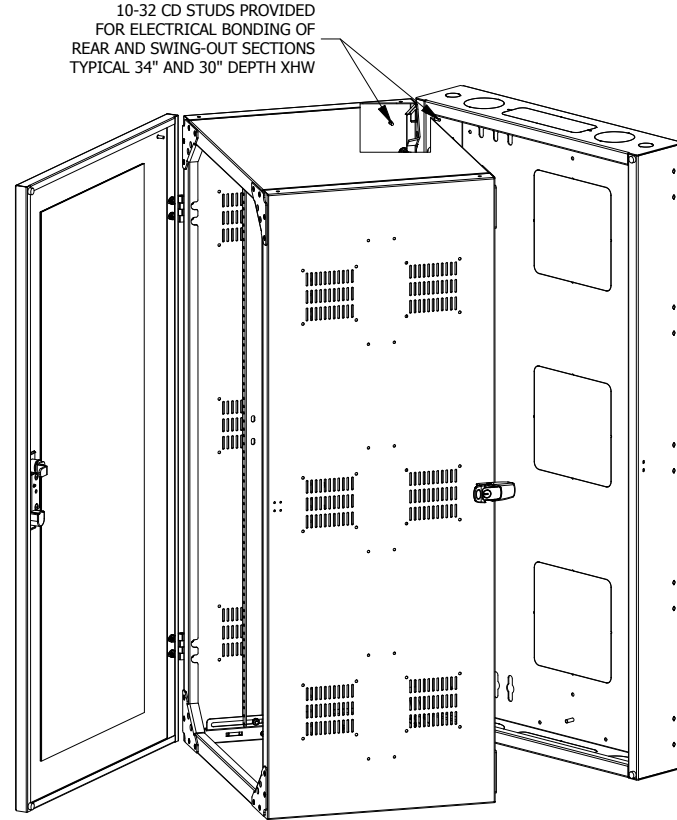
3

2

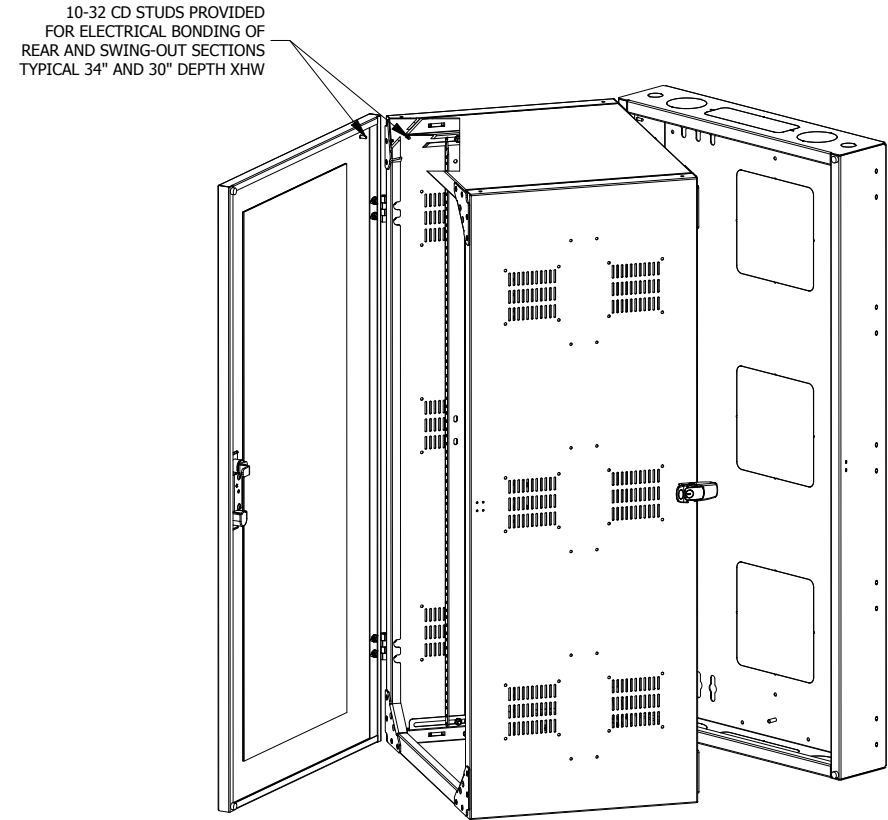
1



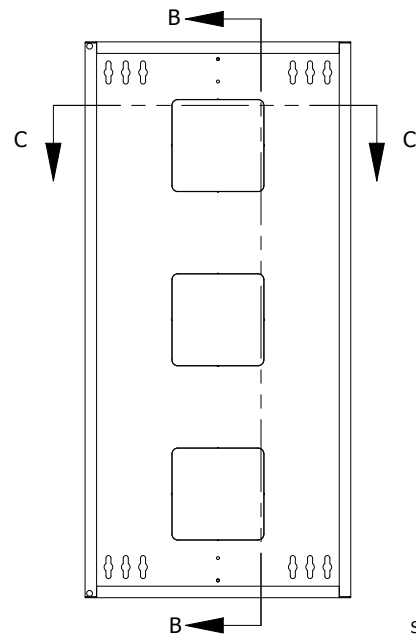
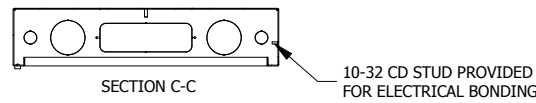
ELECTRICAL BONDING PROVISIONS TYPICAL FOR 6" DEPTH CABINETS OF ALL HEIGHTS. CAN BE USED TO ATTACH AN OPTIONAL BONDING KIT.



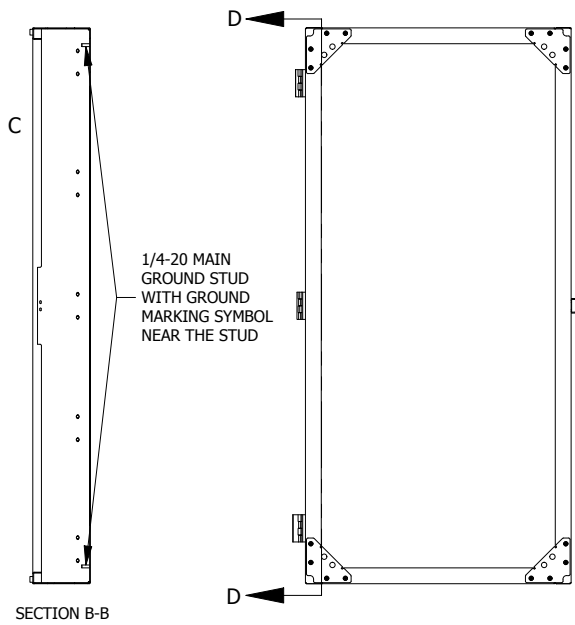
ELECTRICAL BONDING PROVISIONS BETWEEN REAR AND SWING OUT SECTIONS, "TYPICAL FOR 24" AND 30" DEPTH CABINETS OF ALL HEIGHTS. USED TO ATTACH AN BONDING CABLES.



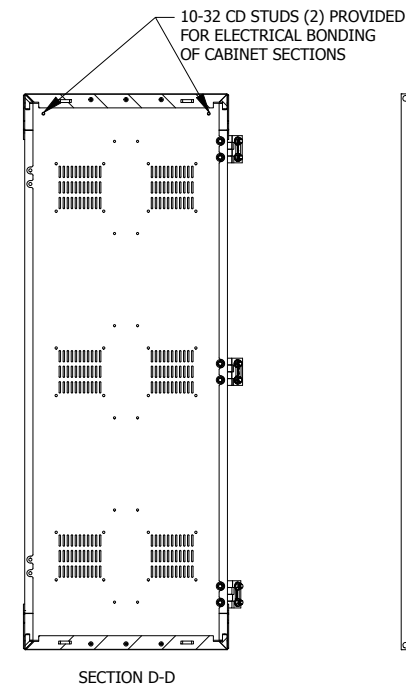
ELECTRICAL BONDING PROVISIONS BETWEEN REAR AND SWING OUT SECTIONS, "TYPICAL FOR 24" AND 30" DEPTH CABINETS OF ALL HEIGHTS. USED TO ATTACH AN BONDING CABLES.



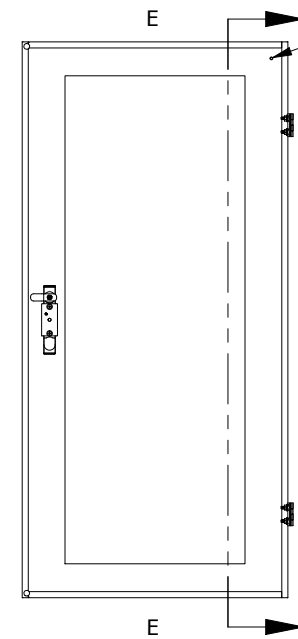
TYPICAL REAR SECTION INSIDE VIEW SHOWING MAIN GROUNDING AND CABINET BONDING PROVISIONS



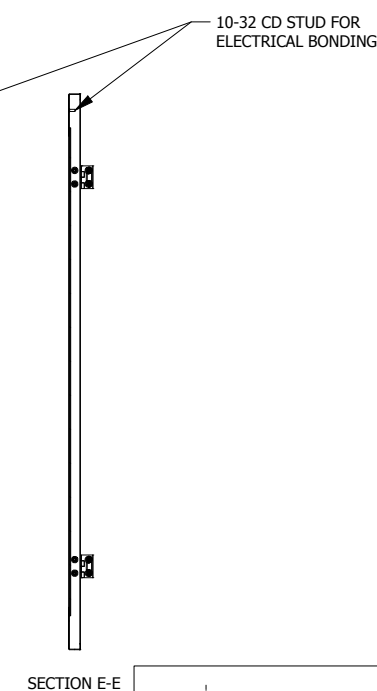
TYPICAL SWING-OUT SECTION FRONT VIEW SHOWING CABINET BONDING PROVISIONS



SECTION D-D



TYPICAL DOOR INSIDE VIEW SHOWING CABINET BONDING PROVISION SAME FOR ALL STYLE DOORS



SECTION E-E

NOTES:

1. ALL THREADS ARE TO BE MASKED. THIS INCLUDES ALL CD STUDS AND PEM STUDS IN THESE CABINETS.
2. ALL HINGED SECTIONS AND DOORS ARE PROVIDED WITH BONDING STUDS THAT CAN BE USED TO ATTACH A BONDING KIT. ALL NON-WELDED COMPONENTS ATTACHED TO THE FRAME ARE SUPPLIED WITH HARDWARE, WHICH WILL PENETRATE THE POWDER COATED SURFACE TO ACCOMPLISH REQUIRED BONDING LEVELS.
3. BONDING KITS FOR DOORS AND HINGED CENTER SECTIONS ARE INCLUDED WITH ENCLOSURE.

BELDEN

THIS DRAWING AND ALL INFORMATION CONTAINED HEREIN IS THE PROPERTY OF BELDEN. ANY USE, COPY OR REPRODUCTION OF THIS MATERIAL WITHOUT WRITTEN PERMISSION OF BELDEN IS PROHIBITED

XHW-SERIES MASTER

HYBRID XHW SERIES- MATRIX ORDERING

DRAWN BY: JWP

DRAWN DATE: 7-10-18

UNITS : INCH

SH 2 of 2

B

SCALE:

DATE: 7/10/2018

SUBMITTAL

4

3

2

1