

Console Cables for GarrettCom Managed Products

The table below guides users through the Console cables for GarrettCom Inc. products

Product Family	Cable Needed	GCI Device side	Cable Needed (Computer side = Male connector)	Notes
Magnum Products				
Magnum DX Series	Null Modem	DB-9-F	DB-9-M ← → DB-9-F null modem cable	M-F null modem cable is supplied with each device
Magnum 6K 19" rack switches, plus 6K16, 6K8 and 6KQE	Null Modem	DB-9-M	CONSOLE CBL = DB-9-F ← → DB-9-F null modem cable	Order console cable as needed. GCI model # "CONSOLE CBL" for computers with DB-9, Model "CONSOLE CBLU" for PCs with USB ports
6KL and 6KQ	Roll over cable <u>Note:</u> A Cisco console cable also works with these devices.	RJ-45	CONSOLE-CBLQD = RJ-45 to DB-9-F CONSOLE-CBLQU = RJ-45 to DB-9-F + USB cable (See description below)	Order console cable as needed. GCI model # "CONSOLE-CBLQD" for computers with DB-9, Model "CONSOLE-CBLQU" for computers with USB
DS Products				
DS 2000, 5000, 100e	Special	RJ-45	RJ-45 ← → RJ-45 10 core cable with two adapters, RJ-45 to DB-9-F and RJ to DB-25-F.	This cable is proprietary. A cable is supplied with each device.
DS 1500	Null Modem (same as DX)	DB-9-F	DB-9-M ← → DB-9-F null modem cable	M-F null modem cable is supplied with each device

When ordering Magnum switch products from GarrettCom Inc., it is recommended to order the proper console cable with the product.

The GarrettCom price list includes a USB to serial cable. This cable part number is “CONSOLE CBLU” and works on PC’s with at least one USB 1.0 or USB 2.0 port free and PC’s with Windows 2000 or XP.

For Apples, Linux based PC’s or PC’s with Vista software, suggest using the Console Cable with DB-9, get DB-9 to USB for Vista at your local computer supply store.

In the serial connectivity world, one occasionally encounters plug connectivity issues (such as DB-9-M on one end trying to connect to DB-9-M on the other end.) To circumvent these issues, gender changers are commonly used. To avoid plug type issues, a DB-9 Gender Changer (M-M and a F-F) as well as a DB-9 null modem adapter may also be needed. These are also readily available at your local computer supply store.

How does the Console Cable connect?

As shown in Figure 1 below, the devices connect in the manner shown. If the computer does not have a serial port, has some USB port and runs windows XP or Windows 2000, the USB cable can then be ordered from GarrettCom Inc.

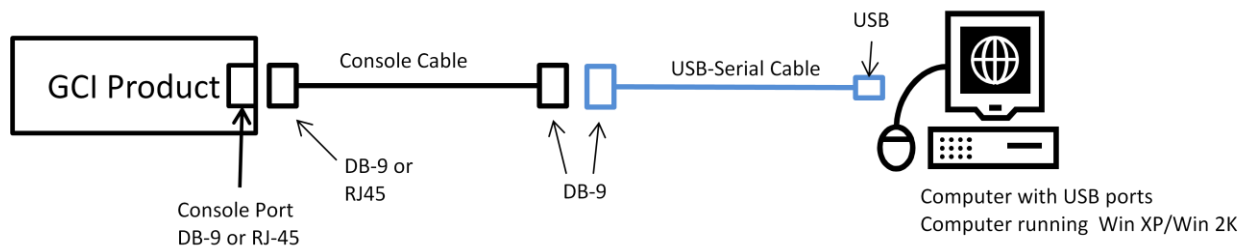


Figure 1 – Using USB-Serial cable along with the proper console cable ordered from GarrettCom Inc.

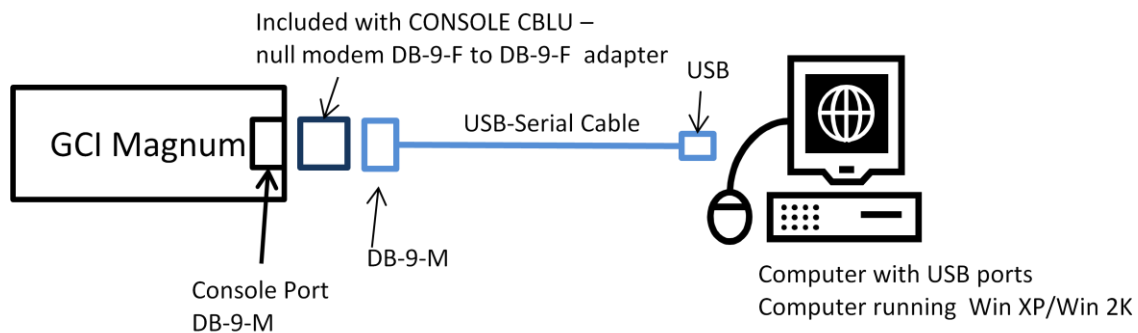


Figure 2 – Using CONSOLE CBLU with GarrettCom Magnum 6K switches such as 19” rack switches, 6K16, 6K8 and 6KQE. For connecting to the Magnum DX products DB-9 M-M gender changer (not shown) is needed along with the null modem adapter

If the computer already has a serial port (like most desktop PC's or older laptops), or if the user already has a USB to serial adapter, then the serial cable is sufficient as the next figure shows.

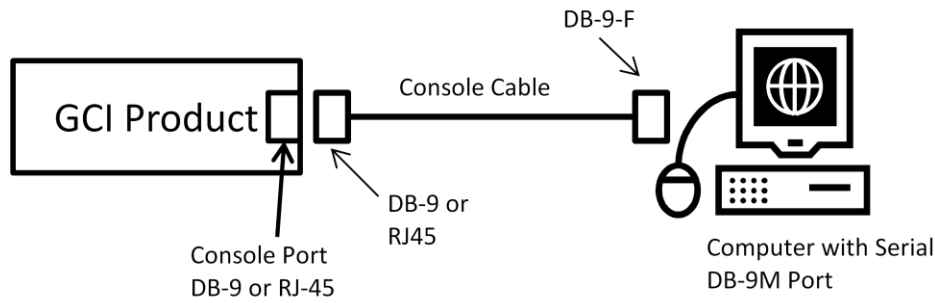


Figure 3 – Using the proper console cable. The PC in this case already has a serial DB-9-M port on the computer

Some details...

Included in the GCI price list is CONSOLE CBLU - a USB to serial cable. This cable includes drivers for Windows 98/2000/XP (but not for Vista or Linux). It also includes F-F null modem adapter for use. Using this, the users can connect to the Magnum products. For 6KQ, an additional cable is needed to convert between DB-9 to RJ45. For Magnum DX products, the included cable attaches to this USB-serial converter to provide the connectivity.



Figure 4 – USB to serial adapter – GCI model # CONSOLE CBLU



Figure 5 - CONSOLE-CBLQD – cable needed to connect to 6KQ products. The DS 2000, 5000, 100e cable looks similar, however, it is not the same as CONSOLE-CBLQD



Figure 6 - CONSOLE-CBLQU – includes the necessary cables to connect the 6KQ to PC's with USB ports only

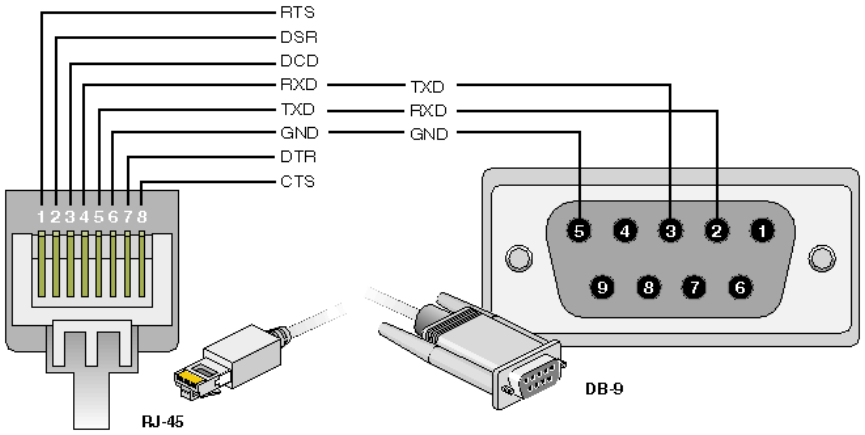


Figure 7- Cabling diagram for CONSOLE CBLU



Figure 8 – GCI Part number CONSOLE CBL - null modem console cable for 6K Magnum Switches – note – Female to Female DB-9 connectors



Figure 9 – A similar null modem cable is used with DX routers – but one end is Male, the other end connector is Female. This cable is included with all DX routers shipped from the factory

Pin Connections for Null-Modem 9-pin to 9-pin Cables

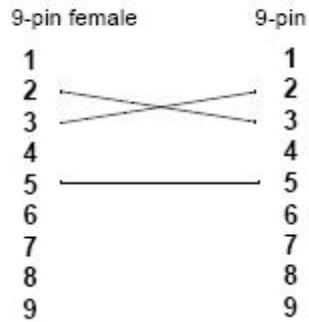


Figure 10 – Wiring for the Null modem cable

Recommendations

When ordering, do not forget the console cables.

Consoles use serial connectivity. Many other devices use serial connectivity. For serial connectivity, it is a good idea to create a kit which includes gender changers, null modem adapters and at least one USB to serial adapter for your PC. Your local computer store can help you find those components.

For the 6KQ family – do not forget to include CONSOLE-CBLQD and optionally CONSOLE CBLU (USB to serial adapter for Windows 2000/XP systems) or purchase both together by ordering CONSOLE-CBLQU.

For Magnum 6K 19" Rack and other switches – including 6K16, 6K8 and 6KQE switches – do not forget to include CONSOLE CBL and optionally CONSOLE CBLU (USB to serial adapter for Windows 2000/XP systems.) For Apple Mac's, LINUX systems and other Vista systems, it is recommended to purchase a USB to serial adapter from your local computer store.

DX or DS family – cables are already included. Optionally you may need CONSOLE CBLU (USB to serial adapter for Windows 2000/XP systems.) For Apple Mac's, LINUX systems and other Vista systems, it is recommended to purchase a USB to serial adapter from your local computer store.