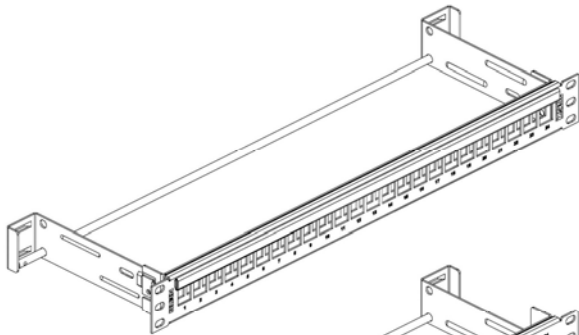


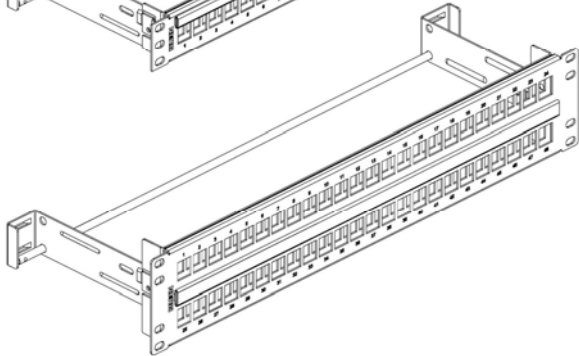
INSTALLATION GUIDE

KeyConnect Patch Panel

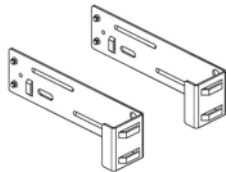
Mounting on 19" racks



24-PORT / 1U



48-PORT / 2U



Rear Cable Management Bracket

Reference Documents

Installation Guide

PX103329 – CAT5E/CAT6 Modular jacks
 PX103771 – 10GX Modular jacks
 PX105976 – Rapid termination tool

Belden Tools

AX101852 – Termination station
 AX100749 – 110 Connecting tool
 AX105566 – Rapid termination tool
 1797B – Cable preparation tool

Standard Tools

Phillips screwdriver
 Cable Stripper

LabelFlex™ Software and printing instruction are available

in the «Information Center» of BELDEN web site –
www.belden.com/enterprisecablings/workstation-outlets.cfm

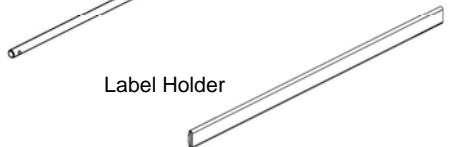
LabelFlex™ Sheet Qty: 1

AX103275 – Patch-Panel AX103121 only
 AX102299 – All other types of Patch-Panel

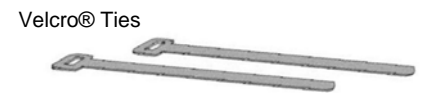
LabelFlex™



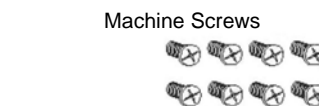
Management Bar



Label Holder



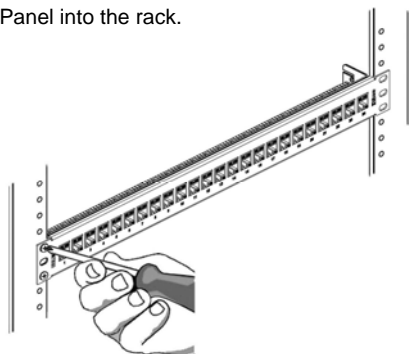
Velcro® Ties



Machine Screws

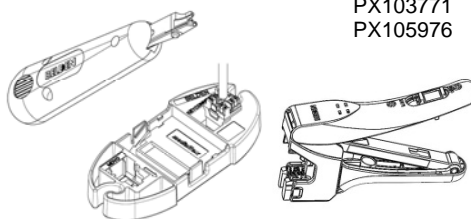
Part #	Description	Connector	Label Holder	LabelFlex (Half Sheet)	Hardware Kit	Velcro® Cable Tie	Screw 10-32 UNC	Screw 12-24 UNC	Management Bar	Management Bracket
AX103114	KeyConnect PP 24 PORT / 1U, Black (Empty)	-	1	1	1	2	4	4	1	2
AX103115	KeyConnect PP 48 PORT / 2U, Black (Empty)	-	1	1	1	2	4	4	1	2
AX103116	KeyConnect PP 72 PORT / 2U, Black (Empty)	-	-	1	2	4	8	8	2	4
AX103121	KeyConnect PP 48 PORT / 1U, Black (Empty)	-	-	1	1	2	4	4	1	2
AX105371	KeyConnect PP 96 PORT / 3U, Black (Empty)	-	2	2	2	4	8	8	2	4
AX103253	CAT6+ KeyConnect PP 24 PORT / 1U, Black	24	1	1	1	2	4	4	1	2
AX103255	CAT6+ KeyConnect PP 48 PORT / 2U, Black	48	1	1	1	2	4	4	1	2
AX103254	10GX KeyConnect PP 24 PORT / 1U, Titanium	24	1	1	1	2	4	4	1	2
AX103256	10GX KeyConnect PP 48 PORT / 2U, Titanium	48	1	1	1	2	4	4	1	2
AX104013	CAT5E KeyConnect PP 24 PORT / 1U, Black	24	1	1	1	2	4	4	1	2
AX104014	CAT5E KeyConnect PP 48 PORT / 2U, Black	48	1	1	1	2	4	4	1	2
AX104141	10GX KeyConnect Coupler PP 24 PORT / 1U, Titanium	24	1	1	1	2	4	4	1	2
AX104142	10GX KeyConnect Coupler PP 48 PORT / 2U, Titanium	48	1	1	1	2	4	4	1	2

1. Using the appropriate screws, attach the Patch Panel into the rack.

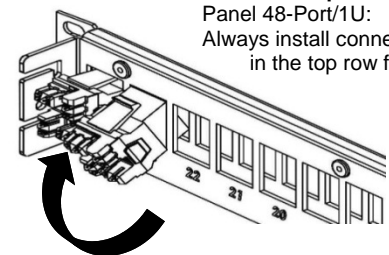


2. (not applicable for Coupler PP)

Jack could be terminated directly in the Patch Panel, in the Termination station with the 110 Connecting Tool, or with the Rapid termination tool (components supplied separately). Refer to Jack Installation Guide: PX103329 PX103771 PX105976



3. To insert a KeyConnect Module into the Patch Panel, engage the bottom into the opening and pivot the top latch as shown.



Installer's Tips for Patch Panel 48-Port/1U:
 Always install connectors in the top row first.

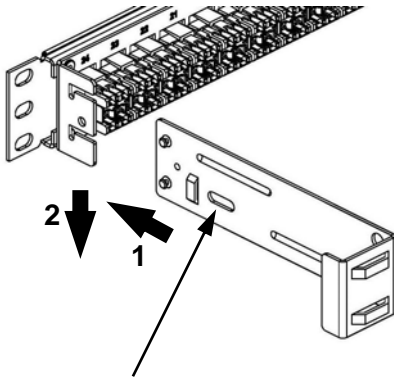
INSTALLATION GUIDE

KeyConnect Patch Panel

Mounting on 19" racks

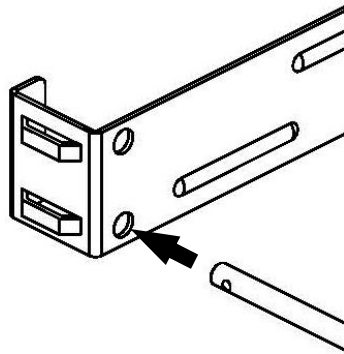


4. Rear Cable Management Bracket installation.



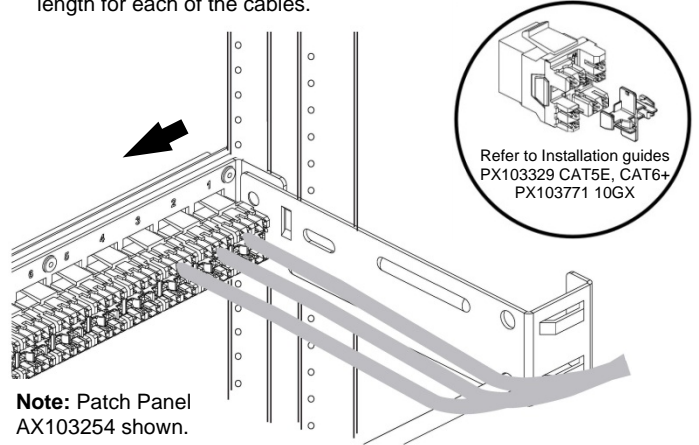
Installer's Tips: Insert a screw driver in the opening to remove the bracket.

5. Install the Management Bar into the hole of each bracket.



The use of the bottom holes is recommended.

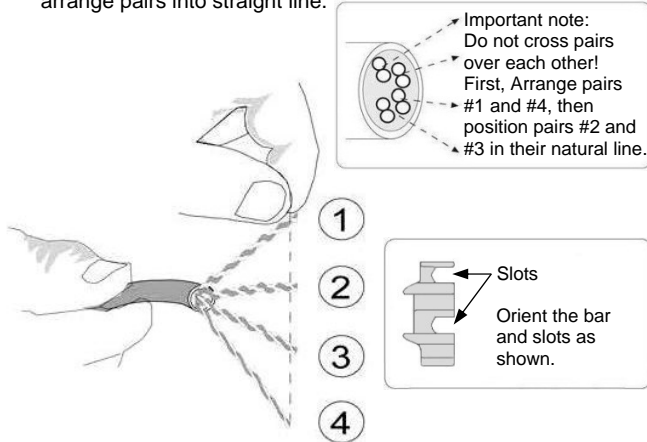
6. Continue assembling cables in this sequence method with the Cable Management Bracket initially installed to get the appropriate length for each of the cables.



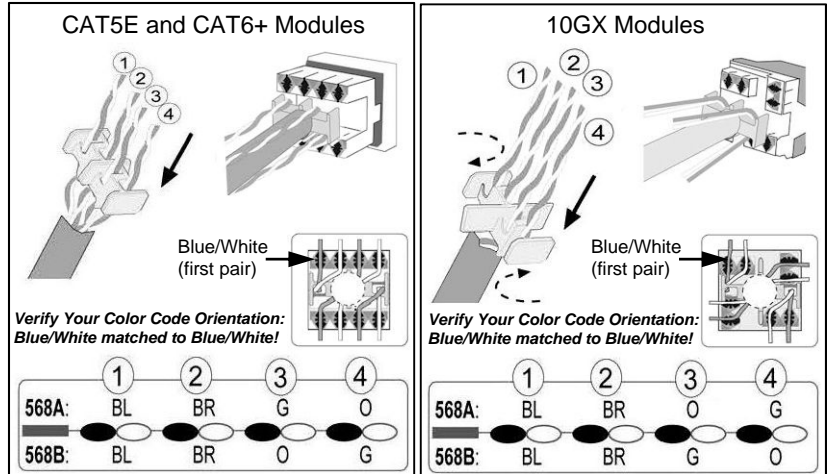
Note: Patch Panel AX103254 shown.

7. Wire Preparation

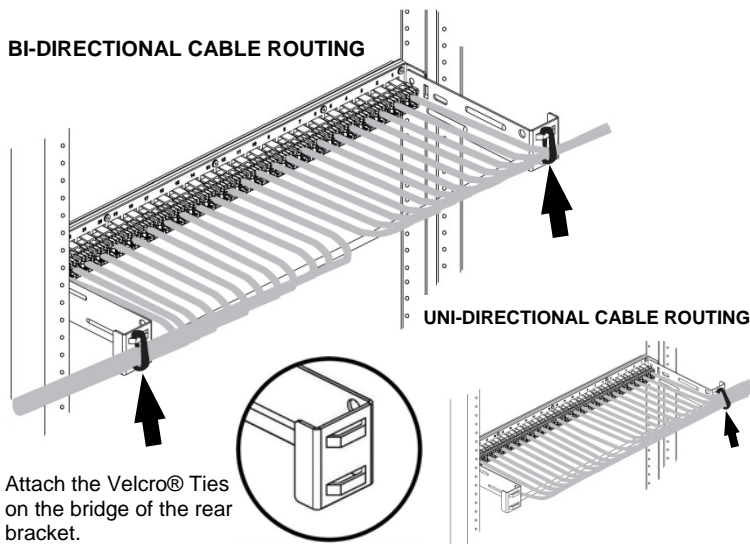
7.1 Select the appropriate wiring method below (568A or 568B) and arrange pairs into straight line.



7.2 In sequence, position each of the four pairs into the holes in the termination bar and module slots.



8. Secure the cables to the brackets with Velcro® Ties provided in the kit.



Attach the Velcro® Ties on the bridge of the rear bracket.

9. Apply the label holder on the patch panel above the connectors. Label installation: Affix the LabelFlex on the cardboard strip located inside the label holder.

