

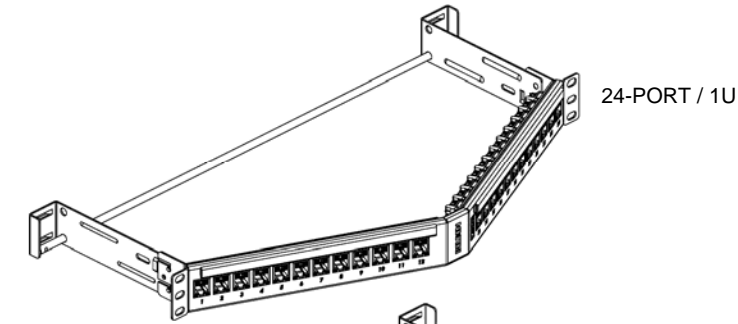
# INSTALLATION GUIDE

## KeyConnect Angled Patch Panel

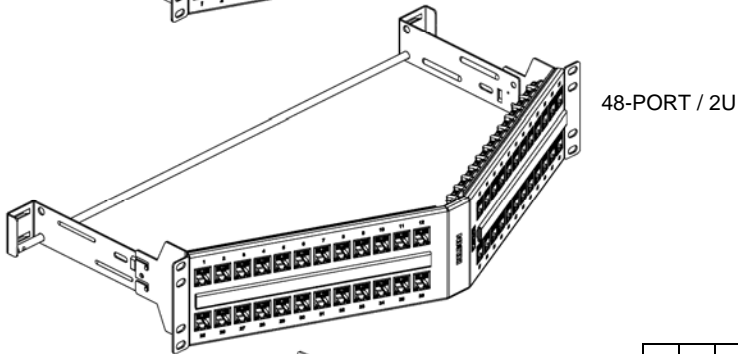
### Mounting on 19" racks



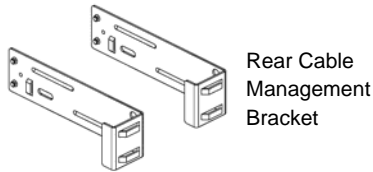
SENDING ALL THE RIGHT SIGNALS



24-PORT / 1U



48-PORT / 2U



Rear Cable Management Bracket

#### Reference Documents Installation Guide

PX103329 – CAT5E/CAT6 Modular jacks  
PX103771 – 10GX Modular jacks  
PX105976 – Rapid termination tool

#### Belden Tools

AX101852 – Termination station  
AX100749 – 110 Connecting tool  
AX105566 – Rapid termination tool  
1797B – Cable preparation tool

#### Standard Tools

Phillips screwdriver  
Cable Stripper

**LabelFlex™ Software** and printing instruction are available in the «Information Center» of BELDEN web site – [www.belden.com/enterprisecablings/workstation-outlets.cfm](http://www.belden.com/enterprisecablings/workstation-outlets.cfm)

#### LabelFlex™ Sheet Qty: 1

AX103275 – 5 Sheets pack / 16 Labels per Sheet

#### LabelFlex™



Management Bar



Label Holder

Velcro® Ties

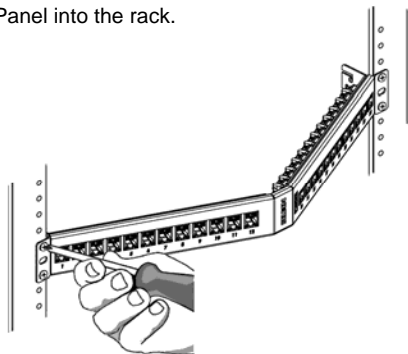


Machine Screws

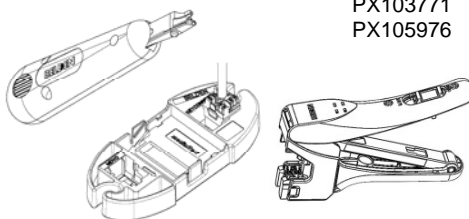


Part #	Description	Connector	Label Holder	LabelFlex (Half Sheet)	Hardware Kit	Velcro® Cable Tie	Screw 10-32 UNC	Screw 12-24 UNC	Management Bar	Management Bracket
AX104599	KeyConnect Angled PP 24 PORT / 1U, Black (Empty)	-	2	1	1	2	4	4	1	2
AX104600	KeyConnect Angled PP 48 PORT / 1U, Black (Empty)	-	-	1	1	2	4	4	1	2
AX104601	KeyConnect Angled PP 48 PORT / 2U, Black (Empty)	-	2	1	1	2	4	4	1	2
AX105300	10GX KeyConnect Angled Coupler PP 24 PORT / 1U, Black	24	2	1	1	2	4	4	1	2
AX105301	10GX KeyConnect Angled Coupler PP 48 PORT / 2U, Black	48	2	1	1	2	4	4	1	2
AX105348	10GX KeyConnect Angled Coupler PP 48 PORT / 1U, Black	48	2	1	1	2	4	4	1	2
AX105349	CAT6+ KeyConnect Angled Coupler PP 24 PORT / 1U, Black	24	2	1	1	2	4	4	1	2
AX105350	CAT6+ KeyConnect Angled Coupler PP 48 PORT / 2U, Black	48	2	1	1	2	4	4	1	2
AX105351	CAT6+ KeyConnect Angled Coupler PP 48 PORT / 1U, Black	48	2	1	1	2	4	4	1	2
AX105357	CAT5E KeyConnect Angled PP 24 PORT / 1U, Black	24	2	1	1	2	4	4	1	2
AX105358	CAT5E KeyConnect Angled PP 48 PORT / 2U, Black	48	2	1	1	2	4	4	1	2
AX105359	CAT5E KeyConnect Angled PP 48 PORT / 1U, Black	48	-	1	1	2	4	4	1	2
AX105360	CAT6+ KeyConnect Angled PP 24 PORT / 1U, Black	24	2	1	1	2	4	4	1	2
AX105361	CAT6+ KeyConnect Angled PP 48 PORT / 2U, Black	48	2	1	1	2	4	4	1	2
AX105362	CAT6+ KeyConnect Angled PP 48 PORT / 1U, Black	48	-	1	1	2	4	4	1	2
AX105363	10GX KeyConnect Angled PP 24 PORT / 1U, Black	24	2	1	1	2	4	4	1	2
AX105364	10GX KeyConnect Angled PP 48 PORT / 2U, Black	48	2	1	1	2	4	4	1	2
AX105365	10GX KeyConnect Angled PP 48 PORT / 1U, Black	48	-	1	1	2	4	4	1	2

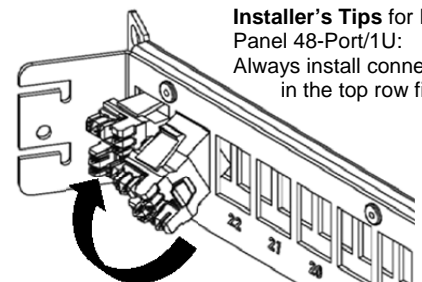
- Using the appropriate screws, attach the Patch Panel into the rack.



- (not applicable for Coupler PP)  
Jack could be terminated directly in the Patch Panel, in the Termination station with the 110 Connecting Tool, or with the Rapid termination tool (components supplied separately).  
Refer to Jack Installation Guide: PX103329  
PX103771  
PX105976



- To insert a KeyConnect Module into the Patch Panel, engage the bottom into the opening and pivot the top latch as shown.



**Installer's Tips** for Patch Panel 48-Port/1U:  
Always install connectors in the top row first.

# INSTALLATION GUIDE

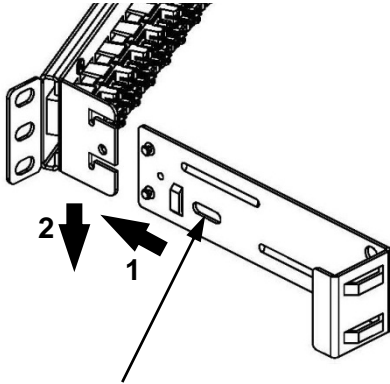
## KeyConnect Angled Patch Panel

### Mounting on 19" racks



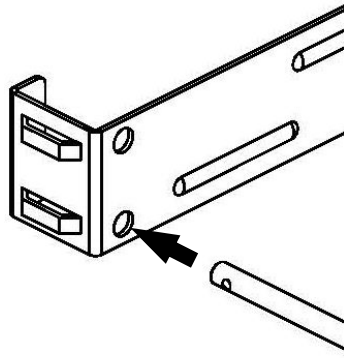
SENDING ALL THE RIGHT SIGNALS

**4. Rear Cable Management Bracket installation.**



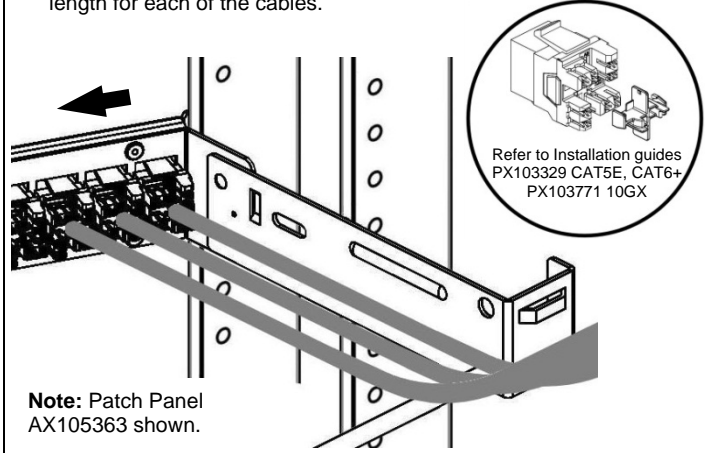
**Installer's Tips:** Insert a screw driver in the opening to remove the bracket.

**5. Install the Management Bar into the hole of each bracket.**



The use of the bottom holes is recommended.

**6. Continue assembling cables in this sequence method with the Cable Management Bracket initially installed to get the appropriate length for each of the cables.**

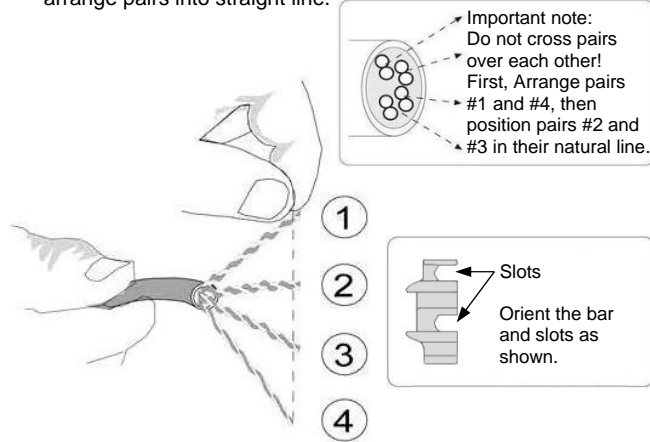


Refer to Installation guides  
PX103329 CAT5E, CAT6+  
PX103771 10GX

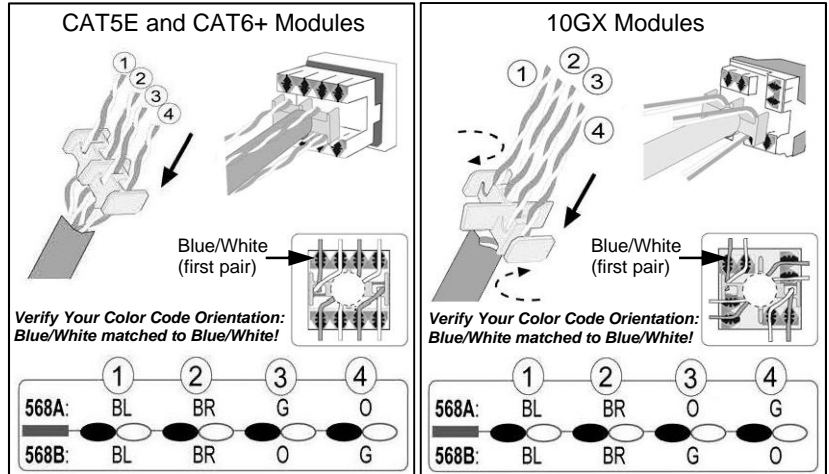
**Note:** Patch Panel AX105363 shown.

### 7. Wire Preparation

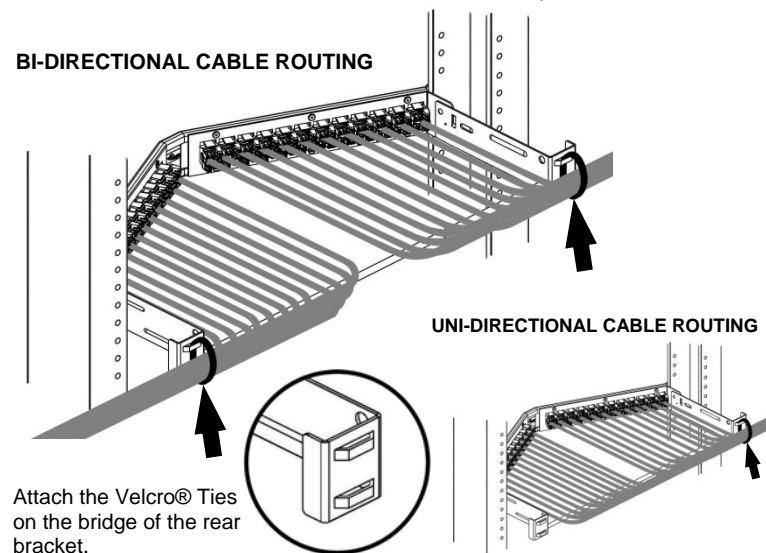
7.1 Select the appropriate wiring method below (568A or 568B) and arrange pairs into straight line.



7.2 In sequence, position each of the four pairs into the holes in the termination bar and module slots.



**8. Secure the cables to the brackets with Velcro® Ties provided in the kit.**



**9. Apply the label holder on the patch panel above the connectors. Label installation: Affix the LabelFlex on the cardboard strip located inside the label holder.**

