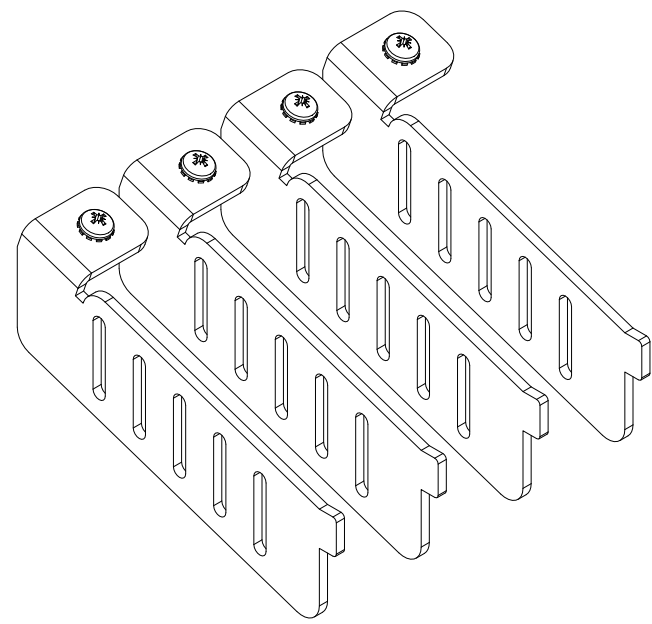


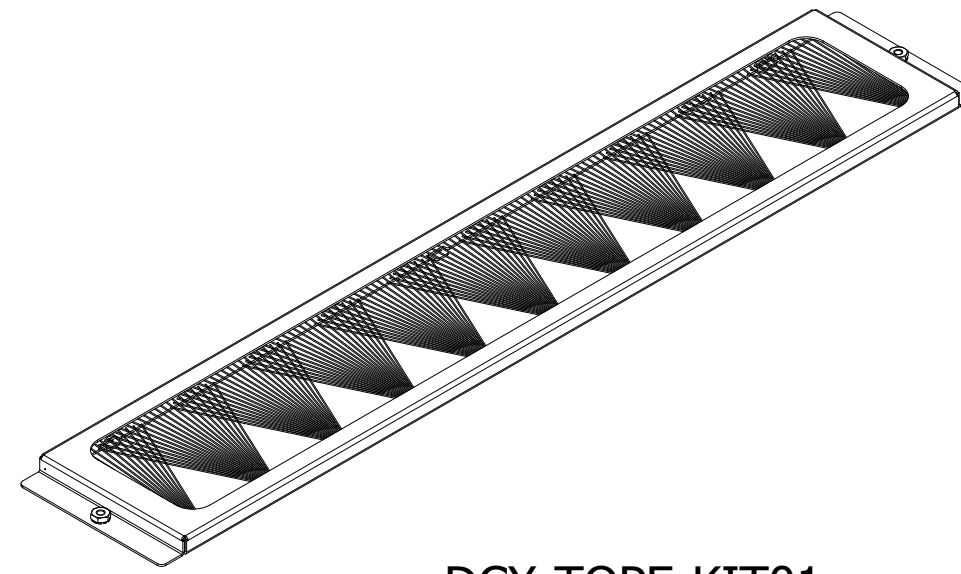
DCX-BOTE-KIT01



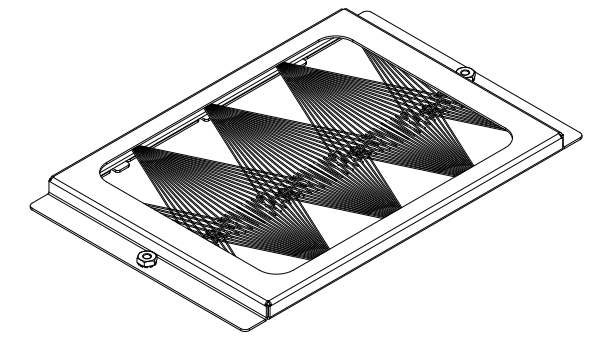
DCX-BOTE-KIT02

DCX-BOTE-KITxx-yy
 xx - 01 - BRUSH
 xx - 02 - (4) BRACKETS
 yy - B - BLACK
 yy - W - CENTRAL OFFICE WHITE

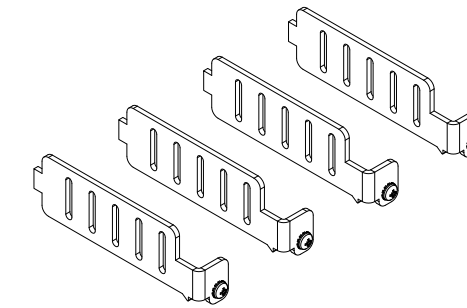
STANDARD BOTTOM PANELS



DCX-TOPE-KIT01



DCX-TOPE-KIT02



DCX-TOPE-KIT03

DCX-TOPE-KITxx-yy
 xx - 01 - LARGE BRUSH FRAME
 xx - 02 - SMALL BRUSH FRAME
 xx - 03 - 4 BRACKETS
 yy - B - BLACK
 yy - W - CENTRAL OFFICE WHITE

STANDARD TOP PANELS

BELDEN

THIS DRAWING AND ALL INFORMATION CONTAINED HEREIN IS THE PROPERTY OF BELDEN. ANY USE, COPY OR REPRODUCTION OF THIS MATERIAL WITHOUT WRITTEN PERMISSION OF BELDEN IS PROHIBITED.

DCXS SERIES MASTER - ACCESSORIES

DCXS SERIES - TOP & BOTTOM PANEL DETAILS

DRAWN BY: RCG

DRAWN DATE: 9/13/19

UNITS: INCH

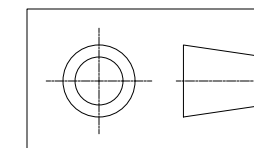
SH 1 of 3

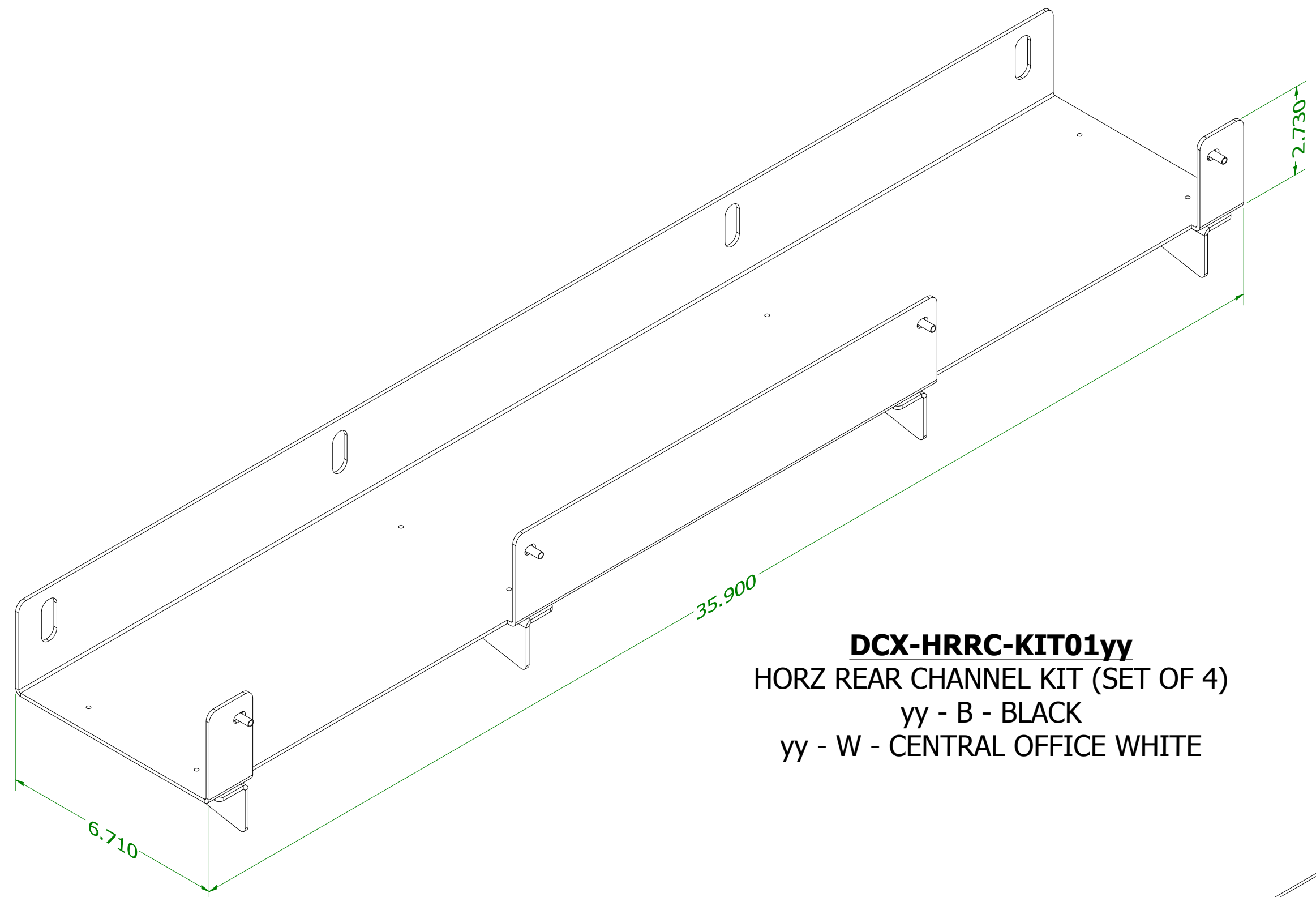
C

SCALE: 3:32

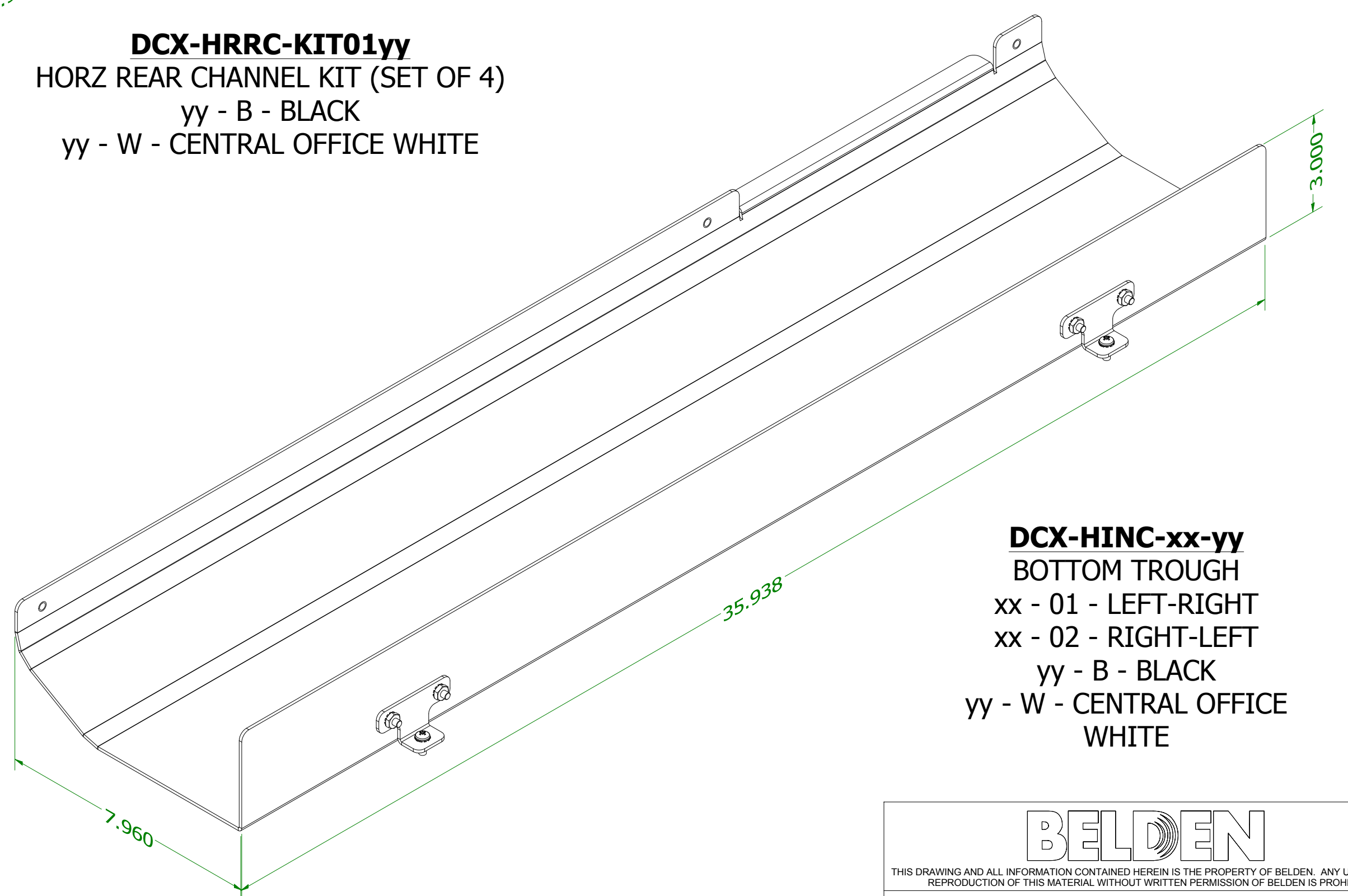
DATE: 9/13/2019

SUBMITTAL





DCX-HRRC-KIT01yy
 HORZ REAR CHANNEL KIT (SET OF 4)
 yy - B - BLACK
 yy - W - CENTRAL OFFICE WHITE



DCX-HINC-xx-yy
 BOTTOM TROUGH
 xx - 01 - LEFT-RIGHT
 xx - 02 - RIGHT-LEFT
 yy - B - BLACK
 yy - W - CENTRAL OFFICE WHITE

BELDEN

THIS DRAWING AND ALL INFORMATION CONTAINED HEREIN IS THE PROPERTY OF BELDEN. ANY USE, COPY OR REPRODUCTION OF THIS MATERIAL WITHOUT WRITTEN PERMISSION OF BELDEN IS PROHIBITED

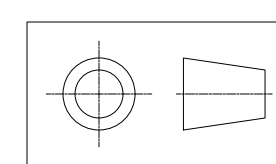
DCXS SERIES MASTER - ACCESSORIES

DCXS SERIES - BOTTOM & REAR TROUGHS

DRAWN BY: RCG
 DRAWN DATE: 9/13/19

UNITS: INCH SH 2 of 3 C
 SCALE: 3:32 DATE: 9/13/2019

SUBMITTAL



4

3

2

1

D

D

C

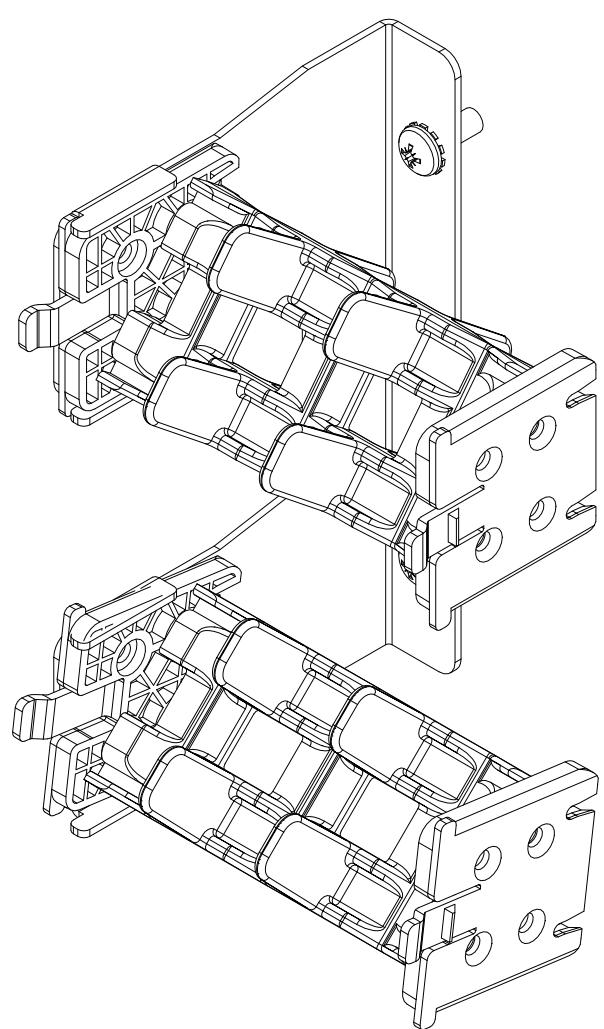
C

B

B

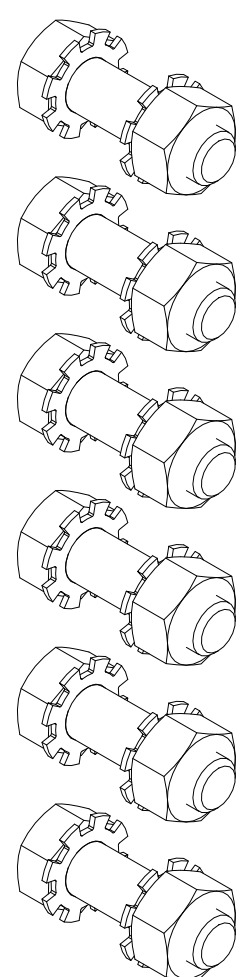
A

A

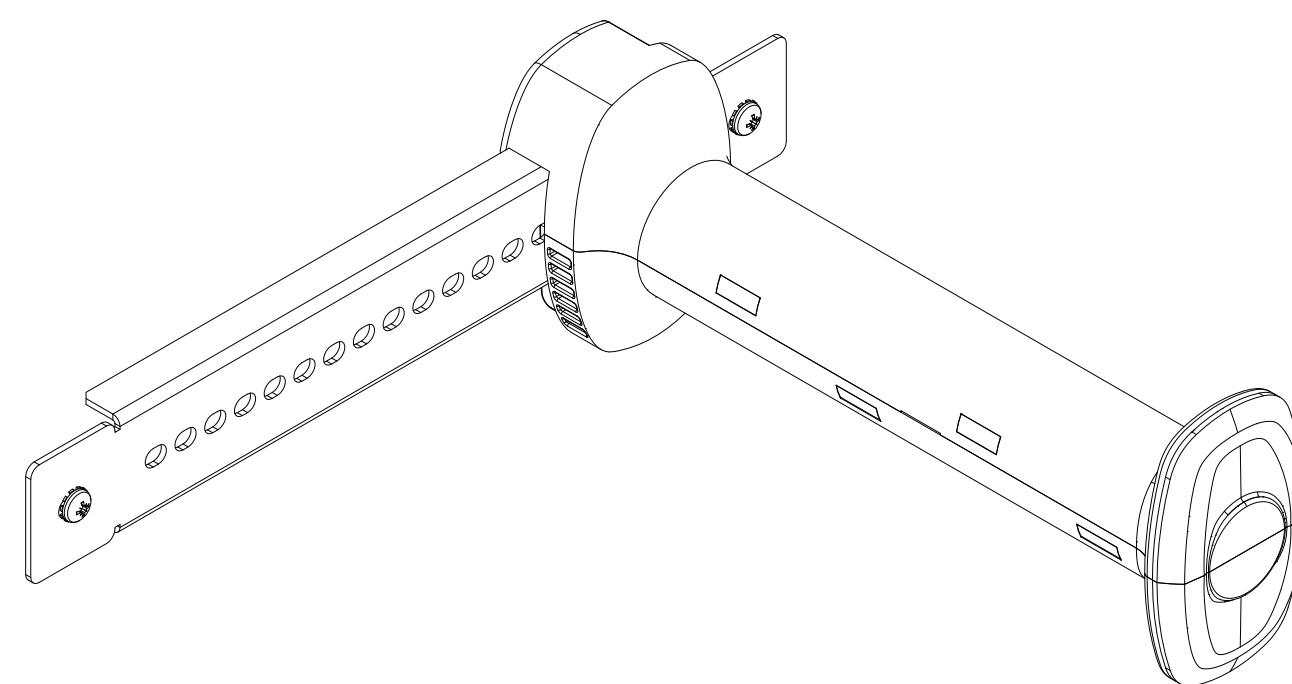


DCX-CABV-KIT01yy
 CABLE DISTRIBUTION
 ATTACHMENT KIT
 (SET OF 2)

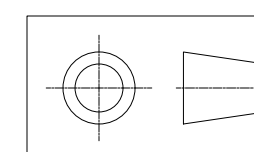
yy - B - BLACK
 yy - W - CENTRAL OFFICE WHITE



DCX-GANG-KIT01
 SIDE-TO-SIDE
 OR
 BACK-TO-BACK



DCX-SPOO-KIT01yy
 FIXED SPOOL KIT
 yy - B - BLACK
 yy - W - CENTRAL OFFICE
 WHITE



BELDEN			
<small>THIS DRAWING AND ALL INFORMATION CONTAINED HEREIN IS THE PROPERTY OF BELDEN. ANY USE, COPY OR REPRODUCTION OF THIS MATERIAL WITHOUT WRITTEN PERMISSION OF BELDEN IS PROHIBITED</small>			
DCXS SERIES MASTER - ACCESSORIES			
CABLE ATTACHMENT / SPOOLS / ACCESSORIES			
DRAWN BY: RCG			
DRAWN DATE: 9/13/19			
UNITS: INCH	SH 3 of 3	C	SUBMITTAL
SCALE: 3:32	DATE: 9/13/2019		

4

3

2

1